

**NOTE:** The following applies to CE marked products only.

## Declaration of Conformance – Mercury MerCruiser

This sterndrive or inboard engine when installed in accordance to Mercury MerCruisers' instructions complies with the requirements of the following directives by meeting the associated standards, as amended:

Recreational Craft Directive 94/25/EC; 2003/44/EC

Applicable Requirement	Standards Applied
Owner's manual (A.2.5)	ISO 10240
Openings in Hull, Deck and superstructure (A.3.4)	ISO 9093-1; ISO 9093-2
Handling characteristics (A.4)	ISO 8665
Inboard Engine (A.5.1.1)	ISO 15584; ISO 10088; ISO 7840; ISO 10133
Fuel System (A.5.2)	ISO 10088; ISO 7840; ISO 8469
Electrical System (A.5.3)	ISO 10133; ISO 8846
Steering system (A.5.4)	Applicable portions of: ISO 10592, ISO 8848 and ABYC P-17
Exhaust emission requirements (B.2)	ISO 8178
Owner's manual (B.4)	ISO 8665
Noise emission levels (C.1)	ISO 14509
Ignition-protected equipment (Annex II)	ISO 8846; SAE J1171; SAE J1191; SAE J 2031

Mercury MerCruiser declares that our sterndrive or inboard engines without integral exhaust, when installed in a recreational craft, in accordance with the manufacturers supplied instructions, will meet the exhaust emissions requirements of the directive mentioned above. This engine must not be put into service until the recreational craft in which it is to be installed has been declared in conformity, if so required, with the relevant provision of the directive.

Electromagnetic Compatibility Directive 89/336/EC, 92/31/EEC and 93/68/EEC

Generic emission standard	EN 50081-1
Generic immunity standard	EN 50082-1
Vehicles, boats and internal combustion engine driven devices - Radio disturbance characteristics	SAE J551 (CISPR 12)
Electrostatic discharge testing	EN 61000-6-2; EN 61000-4-2; EN61000-4-3

The notified body responsible for surveillance of the quality system under Full Quality Assurance Module H of Directive 2003/44/EC is:

Det Norske Veritas  
Norway  
Notified Body Number: 0575

This declaration is issued under the sole responsibility of Mercury Marine and Mercury MerCruiser.



Patrick C. Mackey

President - Mercury Marine, Fond du Lac, WI USA

Regulatory contact:  
 Engineering - Regulatory  
 MerCruiser  
 3003 N. Perkins Rd  
 Stillwater, Oklahoma 74075  
 USA  
 (405) 377-1200

## Identification Record

Please record the following information:

Engine Model and Horsepower		Engine Serial Number
Transom Assembly Serial Number (Sterndrive)	Gear Ratio	Sterndrive Unit Serial Number
Transmission Model (Inboard)	Gear Ratio	Transmission Serial Number
Propeller Number	Pitch	Diameter
Hull Identification Number (HIN)		Purchase Date
Boat Manufacturer	Boat Model	Length
Exhaust Gas Emissions Certification Number		

The serial numbers are the manufacturer's keys to numerous engineering details that apply to your Mercury MerCruiser® power package. When contacting your Authorized Mercury MerCruiser Dealer about service, **always specify model and serial numbers.**

The description and specifications contained herein were in effect at the time this guide was approved for printing. Mercury Marine, whose policy is one of continuous improvement, reserves the right to discontinue models at any time, or to change specifications or designs, without notice and without incurring obligation.

Mercury Marine, Fond du Lac, Wisconsin, U.S.A. Printed in U.S.A.

©2006, Mercury Marine

Mercury, Mercury Marine, MerCruiser, Mercury MerCruiser, Mercury Racing, Mercury Precision Parts, Mercury Propellers, Mariner, Quicksilver, #1 On The Water, Alpha, Bravo, Pro Max, OptiMax, Sport-Jet, K-Planes, MerCathode, RideGuide, SmartCraft, Zero Effort, M with Waves logo, Mercury with Waves logo, and SmartCraft logo are all registered trademarks of Brunswick Corporation. Mercury Product Protection logo is a registered service mark of Brunswick Corporation.

## Welcome

You have selected one of the finest marine power packages available. It incorporates numerous design features to assure operating ease and durability.

With proper care and maintenance, you will thoroughly enjoy using this product for many boating seasons. To ensure maximum performance and carefree use, we ask that you thoroughly read this manual.

The Operation, Maintenance and Warranty Manual contains specific instructions for using and maintaining your product. We suggest that this manual remain with the product for ready reference whenever you are on the water.

Thank you for purchasing one of our Mercury MerCruiser products. We sincerely hope your boating will be pleasant!

Mercury MerCruiser

## Warranty Message


The product you have purchased comes with a **limited warranty** from Mercury Marine; the terms of the warranty are set forth in the Warranty Sections of this manual. The warranty statement contains a description of what is covered, what is not covered, the duration of coverage, how to best obtain warranty coverage, **important disclaimers and limitations of damages** and other related information. Please review this important information.

Mercury Marine products are designed and manufactured to comply with our own high quality standards, applicable industry standards and regulations, as well as certain emissions regulations. At Mercury Marine every engine is operated and tested before it is boxed for shipment to make sure that the product is ready for use. In addition, certain Mercury Marine products are tested in a controlled and monitored environment, for up to 10 hours of engine run time, in order to verify and make a record of compliance with applicable standards and regulations. All Mercury Marine product, sold as new, receives the applicable limited warranty coverage, whether the engine participated in one of the test programs described above or not.

## Read This Manual Thoroughly

**IMPORTANT: If you don't understand any portion of this manual, contact your dealer for a demonstration of actual starting and operating procedures.**

## Notice

Throughout this publication, and on your power package, **WARNINGS** and **CAUTIONS**, accompanied by the International Hazard Symbol , may be used to alert the installer/user to special instructions concerning a particular service or operation that may be hazardous if performed incorrectly or carelessly. **Observe them carefully.**

These Safety Alerts alone cannot eliminate the hazards that they signal. Strict compliance with these special instructions while performing the service, plus common sense operation, are major accident prevention measures.

### WARNING

**WARNING**—indicates a potentially hazardous situation that, if not avoided, could result in death or serious injury.

### CAUTION

**CAUTION**—indicates a potentially hazardous situation that, if not avoided, may result in minor or moderate injury or property damage. It may also be used to alert against unsafe practices.

**IMPORTANT:** Indicates information or instructions that are necessary for proper operation and/or maintenance.

**⚠ WARNING**

The operator (driver) is responsible for the correct and safe operation of the boat, the equipment aboard and the safety of all occupants aboard. We strongly recommend that the operator read this Operation, Maintenance and Warranty Manual and thoroughly understand the operational instructions for the power package and all related accessories before the boat is used.

**⚠ WARNING**

**California Proposition 65 Warning**

The engine exhaust from this product contains chemicals known to the state of California to cause cancer, birth defects or other reproductive harm.

# TABLE OF CONTENTS

---

## Section 1 - Warranty

---

Warranty Registration United States And Canada . . . . .	2	Duration Of Coverage.....	6
Warranty Registration Outside The United States And Canada.....	2	Condition That Must Be Met In Order To Obtain Warranty Coverage.....	6
Transfer Of Warranty.....	3	What Mercury Will Do.....	6
Mercury Product Protection Plan.....	3	How To Obtain Warranty Coverage.....	6
United States And Canada Only.....	3	What Is Not Covered.....	7
Mercury MerCruiser Limited Warranty (Gasoline Fueled Products Only).....	3	Mercury Installation Quality Certification Program. .	7
What Is Covered.....	3	California Emissions Limited Warranty.....	8
Standard Coverage.....	4	What Is Covered.....	8
Horizon Sterndrive and Inboard Models, and MX 6.2 Black Scorpion Tow Sport Model Coverage.....	4	Duration Of Coverage.....	8
Conditions That Must Be Met In Order To Obtain Warranty Coverage.....	4	How To Obtain Warranty Coverage.....	9
What Mercury Will Do.....	4	What Mercury Will Do.....	9
How To Obtain Warranty Coverage.....	5	What Is Not Covered.....	9
What Is Not Covered.....	5	Components Of The Emission Control System. .	9
3 Year Limited Warranty Against Corrosion (Worldwide).....	6	Disclaimers And Limitations.....	10
What Is Covered.....	6	California Emission Control Warranty Statement. .	11
		Your Warranty Rights and Obligations.....	11
		Manufacturer's Warranty Coverage.....	11
		Owner's Warranty Responsibilities.....	11
		Emission Certification Star Label.....	11

---

## Section 2 - Getting to Know Your Power Package

---

Lanyard Stop Switch.....	14	Electrical System Overload Protection-Carbureted Engines.....	19
Instrumentation.....	15	Audio Warning System.....	21
Remote Controls.....	16	Testing The Audio Warning System.....	22
Panel Mount Features.....	16	Emissions Information.....	22
Console Mount Features.....	17	Emission Control Information Label.....	22
Power Trim.....	17	Owner Responsibility.....	23
Single Engine Trim/Trailer.....	18	Star Label.....	23
Dual Engine Trim/Trailer.....	19		

---

## Section 3 - On The Water

---

Safe Boating Suggestions.....	26	Starting Engine After Stopped While In Gear.	30
Be Alert To Carbon Monoxide Poisoning.....	27	Throttle Only Operation.....	30
Good Ventilation.....	28	Trailing the Boat.....	30
Poor Ventilation .....	28	Freezing Temperature Operation.....	31
Basic Boat Operation.....	28	Drain Plug and Bilge Pump.....	31
Launching and Boat Operation.....	28	Protecting People In The Water.....	31
Operation Chart.....	29	While You Are Cruising.....	31
Starting and Stopping the Engine.....	29	While Boat Is Stationary.....	31
Starting the Engine.....	29	High-Speed And High-Performance Boat Operation.....	31
Stopping the Engine.....	30		

Passenger Safety In Pontoon Boats And Deck Boats.....	32	Bottom Of Boat.....	34
Boats Having An Open Front Deck.....	32	Cavitation.....	35
Boats With Front-Mounted, Raised Pedestal Fishing Seats.....	32	Ventilation.....	35
Wave And Wake Jumping.....	33	Elevation And Climate.....	35
Impact With Underwater Hazards.....	33	Propeller Selection.....	35
Drive Unit Impact Protection.....	34	Getting Started.....	36
Conditions Affecting Operation.....	34	20-Hour Break-In Period.....	36
Weight Distribution (Passengers and Gear) Inside the Boat.....	34	After Break-In Period.....	36
		End of First Season Checkup.....	37

---

## Section 4 - Specifications

---

Fuel Requirements.....	40	Engine Oil.....	41
Fuel Ratings.....	40	Engine Specifications.....	41
Using Reformulated (Oxygenated) Gasolines (USA Only).....	40	Fluid Specifications.....	42
Gasolines Containing Alcohol.....	40	Sterndrives.....	42
		Engine.....	42

---

## Section 5 - Maintenance

---

Owner/Operator Responsibilities.....	44	Filling.....	51
Dealer Responsibilities.....	44	Changing.....	52
Maintenance.....	44	Engine Coolant.....	52
Do It Yourself Maintenance Suggestions.....	45	Checking.....	52
Inspection.....	45	Filling.....	53
Maintenance Schedule - Sterndrive Models.....	46	Changing.....	53
Routine Maintenance.....	46	Drive Unit Oil.....	54
Each Day Start.....	46	Checking.....	54
Each Day End.....	46	Filling.....	54
Weekly.....	46	Changing.....	54
Every Two Months or 50 Hours.....	46	Power Trim Fluid.....	56
Scheduled Maintenance.....	46	Checking.....	56
After the Initial 20 Hour Break-In Period.....	46	Filling.....	56
Every 100 Hours or Annually (Whichever Occurs First).....	46	Changing.....	56
Every 200 Hours or 3 Years.....	47	Cleaning The Flame Arrestor.....	57
Every 300 Hours or 3 Years.....	47	Positive Crankcase Ventilation Valve (PCV).....	57
Every 5 Years.....	47	Changing.....	57
Maintenance Log.....	47	Changing Water Separating Fuel Filter.....	58
Sealed Carburetor Mixture Screw.....	48	Fuel Pump Sight Tube Inspection.....	59
Engine Oil.....	48	Lubrication.....	59
Checking.....	48	Steering System.....	59
Filling.....	48	Manual Steering System.....	61
Changing Oil and Filter.....	49	Throttle Cable.....	62
Easy Engine Oil Drain System.....	49	Shift Cable - Typical.....	62
Engine Oil Drain Pump.....	50	Sterndrive Unit and Transom Assembly.....	63
Changing Filter.....	50	Sterndrive U-joint Shaft Splines And O-rings (Sterndrive Unit Removed).....	63
Power Steering Fluid.....	51	Engine Coupler.....	63
Checking.....	51	Driveshaft Extension Models.....	64

Propellers.....	65	Replacing - Side Mount Models.....	67
Propeller Repair.....	65	Power Steering Pump Drive Belt, if equipped	
Alpha Propeller Removal.....	65	.....	67
Alpha Propeller Installation.....	65	Alternator Belt.....	68
Drive Belts.....	66	Flushing the Power Package.....	68
Checking.....	66	Flushing Attachments.....	68
Replacing - Front Mount Models.....	67	Sterndrive Water Pickups.....	69
Power Steering Pump Drive Belt, if equipped		Battery.....	70
.....	67	Corrosion Protection.....	71
Alternator Belt.....	67	Painting Your Power Package.....	75

---

## Section 6 - Storage

---

Cold Weather or Extended Storage.....	78	Clearing Clogged Blue Drain Hoses.....	84
Preparing Power Package for Storage.....	78	Draining the Sterndrive.....	86
Engine and Fuel System Preparation.....	79	Battery Storage.....	87
Draining the Seawater System.....	80	Power Package Recommissioning.....	87
Single Point Drain System.....	80		
Draining the Seawater Section of Closed Cooled			
Models.....	82		

---

## Section 7 - Troubleshooting

---

Starter Motor Will Not Crank Engine, Or Cranks		Battery Will Not Come Up On Charge.....	91
Slow.....	90	Remote Control Operates Hard, Binds, Has	
Engine Will Not Start Or Is Hard To Start.....	90	Excessive Free-play Or Makes Unusual Sounds. .	92
Engine Runs Rough, Misses And/Or Backfires....	90	Steering Wheel Turns Hard Or Jerky.....	92
Poor Performance.....	90	Power Trim Does Not Operate (Motor Does Not	
Excessive Engine Temperature.....	91	Operate).....	92
Insufficient Engine Temperature.....	91	Power Trim Does Not Operate (Motor Operates But	
Low Engine Oil Pressure.....	91	Sterndrive Unit Does Not Move).....	92

---

## Section 8 - Customer Assistance Information

---

Owner Service Assistance.....	94	Parts And Accessories Inquiries.....	95
Local Repair Service.....	94	Resolving A Problem.....	95
Service Away From Home.....	94	Mercury Marine Service Offices.....	95
Stolen Power Package.....	94	Ordering Literature.....	96
Attention Required After Submersion.....	94	United States and Canada.....	96
Replacement Service Parts.....	94	Outside The United States and Canada.....	96

---



# Section 1 - Warranty

1

## Table of Contents

Warranty Registration United States And Canada .....	2	Condition That Must Be Met In Order To Obtain Warranty Coverage .....	6
Warranty Registration Outside The United States And Canada.....	2	What Mercury Will Do .....	6
Transfer Of Warranty.....	3	How To Obtain Warranty Coverage .....	6
Mercury Product Protection Plan.....	3	What Is Not Covered .....	7
United States And Canada Only .....	3	Mercury Installation Quality Certification Program .....	7
Mercury MerCruiser Limited Warranty (Gasoline Fueled Products Only).....	3	California Emissions Limited Warranty.....	8
What Is Covered .....	3	What Is Covered .....	8
Standard Coverage .....	4	Duration Of Coverage .....	8
Horizon Sterndrive and Inboard Models, and MX 6.2 Black Scorpion Tow Sport Model Coverage .....	4	How To Obtain Warranty Coverage .....	9
Conditions That Must Be Met In Order To Obtain Warranty Coverage .....	4	What Mercury Will Do .....	9
What Mercury Will Do .....	4	What Is Not Covered .....	9
How To Obtain Warranty Coverage .....	5	Components Of The Emission Control System .....	9
What Is Not Covered .....	5	Disclaimers And Limitations .....	10
3 Year Limited Warranty Against Corrosion (Worldwide).....	6	California Emission Control Warranty Statement .....	11
What Is Covered .....	6	Your Warranty Rights and Obligations .....	11
Duration Of Coverage .....	6	Manufacturer's Warranty Coverage .....	11
		Owner's Warranty Responsibilities .....	11
		Emission Certification Star Label.....	11

## Warranty Registration United States And Canada

1. You may change your address at any time, including at time of warranty claim, by calling Mercury Marine or sending a letter or fax with your name, old address, new address, and engine serial number to Mercury Marine's warranty registration department. Your dealer can also process this change of information.

Mercury Marine

Attn: Warranty Registration Department

W6250 Pioneer Road

P.O. Box 1939

Fond du Lac, WI 54936-1939

920-929-5054

Fax 920-929-5893

**NOTE:** Registration lists must be maintained by Mercury Marine and any dealer on marine products sold in the United States, should a safety recall notification under the Federal Safety Act be required.

2. To be eligible for warranty coverage, the product must be registered with Mercury Marine. At the time of sale, the dealer should complete the warranty registration and immediately submit it to Mercury Marine via MercNET, E-mail, or mail. Upon receipt of this warranty registration, Mercury Marine will record the registration.
3. Upon processing the warranty registration, Mercury Marine will send registration verification by mail to the purchaser of the product. If this registration verification is not received within 30 days, please contact your selling dealer immediately. Warranty coverage is not effective until your product is registered with Mercury Marine.

## Warranty Registration Outside The United States And Canada

1. It is important that your selling dealer fills out the Warranty Registration Card completely and mails it to the distributor or Marine Power Service Center responsible for administering the warranty registration/claim program for your area.
2. The Warranty Registration Card identifies your name and address, product model and serial numbers, date of sale, type of use and the selling distributor's/dealer's code number, name and address. The distributor/dealer also certifies that you are the original purchaser and user of the product.
3. A copy of the Warranty Registration Card, designated as the Purchaser's Copy, MUST be given to you immediately after the card has been completely filled out by the selling distributor/dealer. This card represents your factory registration identification, and should be retained by you for future use when required. Should you ever require warranty service on this product, your dealer may ask you for the Warranty Registration Card to verify date of purchase and to use the information on the card to prepare the warranty claim forms.
4. In some countries, the Marine Power Service Center will issue you a permanent (plastic) Warranty Registration Card within 30 days after receiving the Factory Copy of the Warranty Registration Card from your distributor/dealer. If you receive a plastic Warranty Registration Card, you may discard the Purchaser's Copy that you received from the distributor/dealer when you purchased the product. Ask your distributor/dealer if this plastic card program applies to you.

**IMPORTANT: Registration lists must be maintained by the factory and dealer in some countries by law. It is our desire to have ALL products registered at the factory should it ever be necessary to contact you. Make sure your dealer/distributor fills out the warranty registration card immediately and sends the factory copy to the Marine Power International Service Center for your area.**

5. For further information concerning the Warranty Registration Card and its relationship to Warranty Claim processing, refer to the International Warranty.

## Transfer Of Warranty

The limited warranty is transferable to a subsequent purchaser, but only for the remainder of the unused portion of the limited warranty. This will not apply to products used for commercial applications.

To transfer the warranty to the subsequent owner, send or fax a copy of the bill of sale or purchase agreement, new owner's name, address and engine serial number to Mercury Marine's warranty registration department. In the United States and Canada, mail to:

Mercury Marine  
Attn: Warranty Registration Department  
W6250 W. Pioneer Road  
P.O. Box 1939  
Fond du Lac, WI 54936-1939  
920-929-5054  
Fax 920-929-5893

Upon processing the transfer of warranty, Mercury Marine will send registration verification to the new owner of the product by mail.

There is no charge for this service.

For products purchased outside the United States and Canada, contact the distributor in your country, or the Marine Power Service Center closest to you.

## Mercury Product Protection Plan

### United States And Canada Only

(Certain performance products, triple engine installations, and commercial applications are excluded.)

The Mercury Product Protection Plan provides coverage against unexpected mechanical and electrical breakdowns that may occur beyond the standard limited warranty.

The optional Mercury Product Protection Plan is the only Factory Plan available for your engine.

One, two, three, four or five - year term plans can be purchased up to 12 months after the original engine registration date.

See your participating Mercury MerCruiser dealer for complete program details.

## Mercury MerCruiser Limited Warranty (Gasoline Fueled Products Only)

### What Is Covered

Mercury Marine warrants its new products to be free of defects in material and workmanship during the period described following.

## **Standard Coverage**

This Limited Warranty provides coverage for either one (1) year from the date the product is first sold to a recreational use retail purchaser, or the date on which the product is first put into service, whichever occurs first. Products installed by an IQ Certified Installer receive one (1) year of additional coverage. Commercial users of these products receive warranty coverage of either one (1) year from the date of first retail sale, or the accumulation of 500 hours of operation, whichever occurs first. Commercial use is defined as any work or employment related use of the product, or any use of the product which generates income, for any part of the warranty period, even if the product is only occasionally used for such purposes. The repair or replacement of parts, or the performance of service under this warranty, does not extend the life of this warranty beyond its original expiration date. Unexpired warranty coverage can be transferred from one recreational use customer to a subsequent recreational use customer upon proper re-registration of the product. Unexpired warranty coverage cannot be transferred either to or from a commercial use customer. Warranty coverage is terminated for used product repossessed from a retail customer, purchased at auction, from a salvage yard, or from an insurance company that obtained the product as a result of an insurance claim.

## **Horizon Sterndrive and Inboard Models, and MX 6.2 Black Scorpion Tow Sport Model Coverage**

This Limited Warranty provides coverage for either three (3) years from the date the product is first sold to a recreational use retail purchaser, or the date on which the product is first put into service, whichever occurs first. An additional one (1) year is added to the recreational user if the product is installed by an IQS certified installer. The repair or replacement of parts, or the performance of service under this warranty, does not extend the life of this warranty beyond its original expiration date. Unexpired warranty coverage can be transferred from one recreational use customer to a subsequent recreational use customer upon proper re-registration of the product. Warranty coverage is terminated for used product repossessed from a retail customer, purchased at auction, from a salvage yard, or from an insurance company that obtained the product as a result of an insurance claim.

## **Conditions That Must Be Met In Order To Obtain Warranty Coverage**

Warranty coverage is available only to retail customers that purchase from a Dealer authorized by Mercury Marine to distribute the product in the country in which the sale occurred, and then only after the Mercury Marine specified pre-delivery inspection process is completed and documented. Warranty coverage becomes available upon proper registration of the product by the authorized dealer. Inaccurate warranty registration information regarding recreational use, or subsequent change of use from recreational to commercial (unless properly re-registered) may void the warranty at the sole discretion of Mercury Marine. Routine maintenance outlined in the Operation and Maintenance Manual must be timely performed in order to obtain warranty coverage. Mercury Marine reserves the right to make any warranty coverage contingent upon proof of proper maintenance.

## **What Mercury Will Do**

Mercury's sole and exclusive obligation under this warranty is limited to, at our option, repairing a defective part, replacing such part or parts with new or Mercury Marine certified re-manufactured parts, or refunding the purchase price of the Mercury product. Mercury reserves the right to improve or modify products from time to time without assuming an obligation to modify products previously manufactured.

## How To Obtain Warranty Coverage

The customer must provide Mercury with a reasonable opportunity to repair, and reasonable access to the product for warranty service. Warranty claims shall be made by delivering the product for inspection to a Mercury dealer authorized to service the product. If purchaser cannot deliver the product to such a dealer, written notice must be given to Mercury. We will then arrange for the inspection and any covered repair. Purchaser in that case shall pay for all related transportation charges and/or travel time. If the service provided is not covered by this warranty, purchaser shall pay for all related labor and material, and any other expenses associated with that service. Purchaser shall not, unless requested by Mercury, ship the product or parts of the product directly to Mercury. Proof of registered ownership must be presented to the dealer at the time warranty service is requested in order to obtain coverage.

## What Is Not Covered

This limited warranty does not cover routine maintenance items, tune ups, adjustments, normal wear and tear, damage caused by abuse, abnormal use, use of a propeller or gear ratio that does not allow the engine to run in its recommended RPM range (see the Operation and Maintenance Manual), operation of the product in a manner inconsistent with the recommended operation/duty cycle section of the Operation and Maintenance Manual, neglect, accident, submersion, improper installation (proper installation specifications and techniques are set forth in the installation instructions for the product), improper service, use of an accessory or part which damages the Mercury product and was not manufactured or sold by us, jet pump impellers and liners, operation with fuels, oils or lubricants which are not suitable for use with the product (see the Operation and Maintenance Manual), alteration or removal of parts, water entering the engine through the fuel intake, air intake or exhaust system or damage to the product from insufficient cooling water caused by blockage of the cooling system by a foreign body, running the engine out of water, mounting the engine too high on the transom, or running the boat with the engine trimmed out too far. Use of the product for racing or other competitive activity, or operating with a racing type lower unit, at any point, even by a prior owner of the product, voids the warranty. Expenses related to haul-out, launch, towing, storage, telephone, rental, inconvenience, slip fees, insurance coverage, loan payments, loss of time, loss of income, or any other type of incidental or consequential damages are not covered by this warranty. Also, expenses associated with the removal and/or replacement of boat partitions or material caused by boat design for access to the product are not covered by this warranty. No individual or entity, including Mercury Marine authorized dealers, has been given authority by Mercury Marine to make any affirmation, representation or warranty regarding the product, other than those contained in this limited warranty, and if made, shall not be enforceable against Mercury Marine.

### **DISCLAIMERS AND LIMITATIONS**

**THE IMPLIED WARRANTIES OF MERCHANTABILITY AND FITNESS FOR A PARTICULAR PURPOSE ARE EXPRESSLY DISCLAIMED. TO THE EXTENT THAT THEY CANNOT BE DISCLAIMED, THE IMPLIED WARRANTIES ARE LIMITED IN DURATION TO THE LIFE OF THE EXPRESS WARRANTY. INCIDENTAL AND CONSEQUENTIAL DAMAGES ARE EXCLUDED FROM COVERAGE UNDER THIS WARRANTY. SOME STATES/COUNTRIES DO NOT ALLOW FOR THE DISCLAIMERS, LIMITATIONS AND EXCLUSIONS IDENTIFIED ABOVE. AS A RESULT, THEY MAY NOT APPLY TO YOU. THIS WARRANTY GIVES YOU SPECIFIC LEGAL RIGHTS, AND YOU MAY ALSO HAVE OTHER LEGAL RIGHTS WHICH VARY FROM STATE TO STATE AND COUNTRY TO COUNTRY.**

## **3 Year Limited Warranty Against Corrosion (Worldwide)**

### **What Is Covered**

Mercury Marine warrants that each new Mercury, Mariner, Mercury Racing, Sport Jet, M<sup>2</sup> Jet Drive, Tracker by Mercury Marine Outboard, MerCruiser Inboard or Sterndrive engine (Product) will not be rendered inoperative as a direct result of corrosion for the period of time described below.

### **Duration Of Coverage**

This limited corrosion warranty provides coverage for three (3) years from either the date the product is first sold, or the date on which the product is first put into service, whichever occurs first. The repair and replacement of parts, or the performance of service under this warranty does not extend the life of this warranty beyond its original expiration date. Unexpired warranty coverage can be transferred to subsequent (noncommercial use) purchaser upon proper re-registration of the product. Warranty coverage is terminated for used product repossessed from a retail customer, purchased at auction, from a salvage yard, or from an insurance company that obtained the product as a result of an insurance claim.

### **Condition That Must Be Met In Order To Obtain Warranty Coverage**

Warranty coverage is available only to retail customers that purchase from a Dealer authorized by Mercury Marine to distribute the product in the country in which the sale occurred, and then only after the Mercury Marine specified pre-delivery inspection process is completed and documented. Warranty coverage becomes available upon proper registration of the product by the authorized dealer. Corrosion prevention devices specified in the Operation and Maintenance Manual must be in use on the boat, and routine maintenance outlined in the Operation and Maintenance Manual must be timely performed (including without limitation the replacement of sacrificial anodes, use of specified lubricants, and touch-up of nicks and scratches) in order to maintain warranty coverage. Mercury Marine reserves the right to make warranty coverage contingent upon proof of proper maintenance.

### **What Mercury Will Do**

Mercury's sole and exclusive obligation under this warranty is limited to, at our option, repairing a corroded part, replacing such part or parts with new or Mercury Marine certified re-manufactured parts, or refunding the purchase price of the Mercury product. Mercury reserves the right to improve or modify products from time to time without assuming an obligation to modify products previously manufactured.

### **How To Obtain Warranty Coverage**

The customer must provide Mercury with a reasonable opportunity to repair, and reasonable access to the product for warranty service. Warranty claims shall be made by delivering the product for inspection to a Mercury dealer authorized to service the product. If purchaser cannot deliver the product to such a dealer, written notice must be given to Mercury. We will then arrange for the inspection and any covered repair. Purchaser in that case shall pay for all related transportation charges and/or travel time. If the service provided is not covered by this warranty, purchaser shall pay for all related labor and material, and any other expenses associated with that service. Purchaser shall not, unless requested by Mercury, ship the product or parts of the product directly to Mercury. Proof of registered ownership must be presented to the dealer at the time warranty service is requested in order to obtain coverage.

## What Is Not Covered

This limited warranty does not cover electrical system corrosion; corrosion resulting from damage, corrosion which causes purely cosmetic damage, abuse or improper service; corrosion to accessories, instruments, steering systems; corrosion to factory installed jet drive unit; damage due to marine growth; product sold with less than a one year limited Product warranty; replacement parts (parts purchased by the Customer); products used in a commercial application. Commercial use is defined as any work or employment related use of the product, or any use of the product which generates income, for any part of warranty period, even if the product is only occasionally used for such purposes.

## Mercury Installation Quality Certification Program



15502

Mercury MerCruiser products installed by a Mercury Installation Quality Certified Manufacturer are Installation Quality certified products and may receive an additional one (1) year of limited warranty coverage.

The Installation Quality Certification program was developed to recognize MerCruiser boatbuilder customers who have achieved higher manufacturing standards. It is the first and only comprehensive manufacturer-installation certification program in the industry.

The program has three goals:

1. To enhance overall product quality.
2. To improve the boat ownership experience.
3. To enhance overall customer satisfaction.

The certification process is designed to review all facets of manufacturing and engine installation. The program is composed of design, manufacturing and installation review stages with which builders must comply. Certification applies leading-edge methodologies to create:

- Efficiencies and best practices specific to engine installation.
- World-class assembly and component specifications.
- Efficient installation processes.
- Industry standard end-of-line test procedures

Boat builders that successfully complete the program and meet all certification requirements earn Installation Quality System Certified Manufacturer status and receive an additional one (1) year of Mercury limited factory warranty coverage on all MerCruiser-powered boats that are registered on and after the boat builder's certification date for all worldwide registrations.

Mercury has designated a section of our Website to promote the Installation Quality Certification Program and communicate its benefits to consumers. For a current list of MerCruiser-powered boat brands that have earned Installation Quality Certification, visit [www.mercurymarine.com/mercruiser\\_warranty](http://www.mercurymarine.com/mercruiser_warranty).

## California Emissions Limited Warranty

The California Air Resources Board has promulgated air emissions regulations for inboard and sterndrive engines. The regulations apply to all inboard and sterndrive engines that were manufactured for the 2003 model year<sup>1</sup> and later. Mercury Marine, in compliance with those regulations, provides this limited warranty for the emission control systems (see the components of the emission control system listed following), and further warrants that the inboard or sterndrive engine was designed, built and equipped to conform with all applicable regulations adopted by the California Air Resources Board pursuant to its authority in Chapters 1 and 2, Part 5, Division 26 of the Health and Safety Code. For information regarding the limited warranty for the non-emissions related components of the inboard or sterndrive engine, please see the limited warranty statement for your engine.

### What Is Covered

Mercury Marine warrants the components of the emissions control systems (see the components of the emission control system listed following) of its new, 2003 model year<sup>1</sup> and later California certified inboard and sterndrive engines, registered<sup>2</sup> to a California resident, to be free from defects in material or workmanship that cause the failure of a warranted part to be identical in all material respects to that part as described in the application of Mercury Marine for certification from the California Air Resources Board, for the period of time, and under the conditions identified below. The cost to diagnose a warranty failure is covered under the warranty (if the warranty claim is approved). Damage to other engine components caused by the failure of a warranted part will also be repaired under warranty.

### Duration Of Coverage

This limited warranty provides coverage for the components of the emissions control systems of new 2003-2008 model year<sup>1</sup> inboard and sterndrive engines for 2 years from either the date the product is first sold, or first put into service, whichever occurs first. Emission related normal maintenance items such as spark plugs and filters, that are on the warranted parts list (see following) are warranted up to their first required replacement interval only. (See Maintenance Schedule). The repair or replacement of parts, or the performance of service under this warranty, does not extend the life of this warranty beyond its original expiration date. Unexpired warranty coverage can be transferred to a subsequent purchaser. (See instructions on transfer of warranty). Warranty coverage is terminated for used product repossessed from a retail customer, purchased at auction, from a salvage yard, or from an insurance company that obtained the product as a result of an insurance claim.

1. Mercury Marine does not establish model years for the Mercury MerCruiser product line. In order to comply with CARB warranty regulations, and for that limited purpose only, model year shall have the same meaning as calendar year. As an example, 2003 model year products refers to products manufactured during calendar year 2003.
2. Your dealer will register your engine for warranty coverage for you. The warranty registration process is not related in any way to the process of obtaining a license, title or registration from state boating authorities. You should ask your dealer to update your warranty registration information to reflect a change of address or a transfer of ownership. (This change may be made at any time.) See the Warranty Registration section of your manual or your dealer for more information.

---

## How To Obtain Warranty Coverage

The customer must provide Mercury with a reasonable opportunity to repair and reasonable access to the product for warranty service. Warranty claims shall be made by delivering the product for inspection to a Mercury dealer authorized to service the product. If purchaser cannot deliver the product to such a dealer, please notify Mercury Marine and Mercury will then arrange for the inspection and any covered repair. Purchaser in that case shall pay for all related transportation charges and/or travel time. If the service provided is not covered by this warranty, purchaser shall pay for all related labor and material, and any other expenses associated with that service. Purchaser shall not, unless requested by Mercury, ship the product or parts of the product directly to Mercury. Proof of registered ownership must be presented to the dealer at the time warranty service is requested in order to obtain coverage.

## What Mercury Will Do

Mercury Marine's sole and exclusive obligation under this warranty is limited to, at our expense and at our option, repairing or replacing defective parts with new or Mercury Marine certified re-manufactured parts, or refunding the purchase price of the Mercury product. Mercury reserves the right to improve or modify products from time to time without assuming an obligation to modify products previously manufactured.

## What Is Not Covered

This limited warranty does not cover routine maintenance items, tune ups, adjustments, normal wear and tear, damage caused by abuse, abnormal use, use of a propeller or gear ratio that does not allow the engine to run in its recommended wide-open-throttle RPM range (see Specifications), operation of the product in a manner inconsistent with the recommended operation procedures, neglect, accident, submersion, improper installation (proper installation specifications and techniques are set forth in the installation instructions for the product), improper service, use of an accessory or part not manufactured or sold by us, jet pump impellers and liners, operation with fuels, oils or lubricants which are not suitable for use with the product (see Specifications), alteration or removal of parts, or water entering the engine through the fuel intake, air intake or exhaust system. Use of the product for racing or other competitive activity, or operating with a racing type lower unit, at any point, even by a prior owner of the product, voids the warranty.

Expenses related to haul-out, launch, towing, storage, telephone, rental, inconvenience, slip fees, insurance coverage, loan payments, loss of time, loss of income, or any other type of incidental or consequential damages are not covered by this warranty. Also, expenses associated with the removal and/or replacement of boat partitions or material caused by boat design for access to the product are not covered by this warranty.

Non-warranty maintenance, replacement, or repair of emission control devices and systems may be performed by any marine engine repair establishment or individual. The use of non-Mercury parts for non-warranty maintenance or repairs will not be grounds for disallowing other warranty work. The use of add-on (as defined at section 1900 (b)(1) and (b)(10) of Title 13 of the California Code of Regulations) or modified parts not exempted by the California Air Resources Board may be grounds for disallowing a warranty claim, at the discretion of Mercury Marine. Failures of warranted parts caused by the use of a non-exempted add-on or modified part will not be covered.

## Components Of The Emission Control System

1. Fuel Metering System
  - a. Carburetor and internal parts (and/or pressure regulator or fuel injection system)
  - b. Intake valves

2. Air Induction System
  - a. Intake manifold
3. Ignition System
  - a. Spark plugs
  - b. Electronic ignition
  - c. Ignition coil and/or control module
  - d. Ignition wires
4. Positive Crankcase Ventilation (PCV) System
  - a. PCV Valve
  - b. Oil filler cap
5. Exhaust System.
  - a. Exhaust manifold
  - b. Exhaust elbow
  - c. Intermediate exhaust elbow
  - d. Lower exhaust pipe
  - e. Tailpipe
  - f. Exhaust valve
6. Miscellaneous Items Used in Above Systems
  - a. Hoses, clamps, fittings, tubing, sealing gaskets or devices, and mounting hardware
  - b. Pulleys, belts, and idlers
  - c. Vacuum, temperature, check and time sensitive valves and switches
  - d. Electronic controls.

## **Disclaimers And Limitations**

**DISCLAIMERS AND LIMITATIONS**  
THE IMPLIED WARRANTIES OF MERCHANTABILITY AND FITNESS FOR A PARTICULAR PURPOSE ARE EXPRESSLY DISCLAIMED. TO THE EXTENT THAT THEY CANNOT BE DISCLAIMED, THE IMPLIED WARRANTIES ARE LIMITED IN DURATION TO THE LIFE OF THE EXPRESS WARRANTY. INCIDENTAL AND CONSEQUENTIAL DAMAGES ARE EXCLUDED FROM COVERAGE UNDER THIS WARRANTY. SOME STATES/COUNTRIES DO NOT ALLOW FOR THE DISCLAIMERS, LIMITATIONS AND EXCLUSIONS IDENTIFIED ABOVE. AS A RESULT, THEY MAY NOT APPLY TO YOU. THIS WARRANTY GIVES YOU SPECIFIC LEGAL RIGHTS, AND YOU MAY ALSO HAVE OTHER LEGAL RIGHTS WHICH VARY FROM STATE TO STATE AND COUNTRY TO COUNTRY.

If you have any questions regarding your warranty rights and responsibilities, refer to Owner Service Assistance for contact information.

---

# California Emission Control Warranty Statement

## Your Warranty Rights and Obligations

The California Air Resources Board is pleased to explain the emission control system warranty on your 2003 model year<sup>1</sup> and later inboard or sterndrive engine. In California, new inboard and sterndrive engines must be designed, built and equipped to meet the State's stringent anti-smog standards. Mercury Marine must warrant the emission control system on your inboard or sterndrive engine for the periods of time listed below provided there has been no abuse, neglect or improper maintenance of your inboard or sterndrive engine.

Your emission control system may include parts such as the carburetor or fuel injection system, the ignition system, and catalytic converter. Also included may be hoses, belts, connectors and other emission-related assemblies.

Where a warrantable condition exists, Mercury Marine will repair your inboard or sterndrive engine at no cost to you; including diagnosis, parts and labor.

## Manufacturer's Warranty Coverage

For 2003-2008 spark-ignition inboard and sterndrive marine engines: Select emission control parts from model year<sup>1</sup>. 2003-2008 inboard and sterndrive engines are warranted for 2 years. If any emission-related part on your engine is defective under warranty, the part will be repaired or replaced by Mercury Marine.

## Owner's Warranty Responsibilities

As the inboard or sterndrive engine owner, you are responsible for the performance of the required maintenance listed in your owner's manual. Mercury Marine recommends that you retain all receipts covering maintenance on your inboard or sterndrive engine, but Mercury Marine cannot deny warranty solely for the lack of receipts or your failure to ensure the performance of all scheduled maintenance.

As the inboard or sterndrive engine owner, you should however be aware that Mercury Marine may deny you warranty coverage if your inboard or sterndrive engine or a part has failed due to abuse, neglect, improper maintenance or unapproved modifications. Warranty coverage is terminated for used product repossessed from a retail customer, purchased at auction, from a salvage yard, or from an insurance company that obtained the product as a result of an insurance claim.

You are responsible for presenting your inboard or sterndrive engine to a Mercury Marine dealer authorized to service the product as soon as a problem exists. The warranty repairs will be completed in a reasonable amount of time, not to exceed 30 days.

If you have any questions regarding your warranty rights and responsibilities, refer to Owner Service Assistance for contact information.

## Emission Certification Star Label





Your boat is labeled on the hull with one of the following star labels. The Symbol for Cleaner Marine Engines Means:

Cleaner Air and Water - for a healthier lifestyle and environment.

Better Fuel Economy - burns up to 30-40 percent less gas and oil than conventional carbureted two-stroke engines, saving money and resources.

Longer Emission Warranty - Protects consumer for worry free operation.

1. Mercury Marine does not establish model years for the Mercury MerCruiser product line. In order to comply with CARB warranty regulations, and for that limited purpose only, model year shall have the same meaning as calendar year. As an example, 2003 model year products refers to products manufactured during calendar year 2003.

<b>One Star - Low emission</b>	
 <p>mc79569-1</p>	<p>The one-star label identifies personal watercraft, outboard, sterndrive and inboard engines that meet the Air Resources Board's Personal Watercraft and Outboard marine engine 2001 exhaust emission standards. Engines meeting these standards have 75% lower emissions than conventional carbureted two-stroke engines. These engines are equivalent to the U.S. EPA's 2006 standards for marine engines.</p>
<b>Two Stars - Very Low emission</b>	
 <p>mc79570-1</p>	<p>The two-star label identifies personal watercraft, outboard, sterndrive and inboard engines that meet the Air Resources Board's Personal Watercraft and Outboard marine engine 2004 exhaust emission standards. Engines meeting these standards have 20% lower emissions than One Star - Low-Emission engines.</p>
<b>Three Stars - Ultra Low emission</b>	
 <p>mc79571-1</p>	<p>The three-star label identifies engines that meet the Air Resources Board's Personal Watercraft and Outboard marine engine 2008 exhaust emission standards or the Sterndrive and Inboard marine engine 2003 exhaust emission standards. Engines meeting these standards have 65% lower emissions than One Star - Low Emission engines.</p>
<b>Four Stars - Super Ultra Low emission</b>	
 <p>mc79572-1</p>	<p>The Four Star label identifies engines that meet the Air Resources Board's Sterndrive and Inboard marine engine 2009 exhaust emission standards. Personal Watercraft and Outboard marine engines may also comply with these standards. Engines meeting these standards have 90% lower emissions than One Star - Low Emission engines.</p>

# Section 2 - Getting to Know Your Power Package

## Table of Contents

2

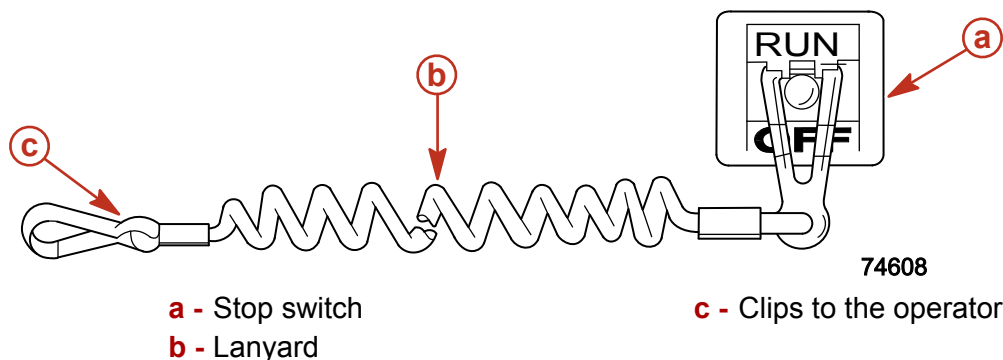
---

Lanyard Stop Switch.....	14	Electrical System Overload Protection-Carbureted	19
Instrumentation.....	15	Engines.....	19
Remote Controls.....	16	Audio Warning System.....	21
Panel Mount Features .....	16	Testing The Audio Warning System .....	22
Console Mount Features .....	17	Emissions Information.....	22
Power Trim.....	17	Emission Control Information Label.....	22
Single Engine Trim/Trailer .....	18	Owner Responsibility .....	23
Dual Engine Trim/Trailer .....	19	Star Label.....	23

---

## Lanyard Stop Switch

The purpose of a lanyard stop switch is to turn off the engine when the operator moves outside the operator's position (as in accidental ejection from the operator's position).



Accidental ejections, such as falling overboard, are more likely to occur in:

- low sided sport boats
- bass boats
- high performance boats

Accidental ejections can also occur from:

- poor operating practices
- sitting on the seat or gunwale at planing speeds
- standing at planing speeds
- operating at planing speeds in shallow or obstacle infested waters
- releasing your grip on the steering wheel that is pulling in one direction
- consuming alcohol or drugs
- high speed boating maneuvers

The lanyard is a cord usually between 122 and 152 cm (4 and 5 feet) in length when stretched out, with an element on one end made to be inserted into the switch and a snap on the other end for attaching to the operator. The lanyard is coiled to make its at-rest condition as short as possible to minimize the likelihood of lanyard entanglement with nearby objects. Its stretched-out length is made to minimize the likelihood of accidental activation should the operator choose to move around in an area close to the normal operator's position. If it is desired to have a shorter lanyard, wrap the lanyard around the operator's wrist or leg, or tie a knot in the lanyard.

Activation of the lanyard stop switch will stop the engine immediately, but the boat will continue to coast for some distance depending upon the velocity and degree of any turn at shut down. However, the boat will not complete a full circle. While the boat is coasting, it can cause injury to anyone in the boat's path as seriously as the boat would when under power.

We strongly recommend that other occupants be instructed on proper starting and operating procedures should they be required to operate the engine in an emergency (e.g. if the operator is accidentally ejected).

### **⚠ WARNING**

**Avoid contact with the boat hull and propeller from accidental ejection. Personal injury or death could occur. Always properly connect both ends of the lanyard stop switch.**

Accidental or unintended activation of the switch during normal operation is also a possibility. This could cause any, or all, of the following potentially hazardous situations:

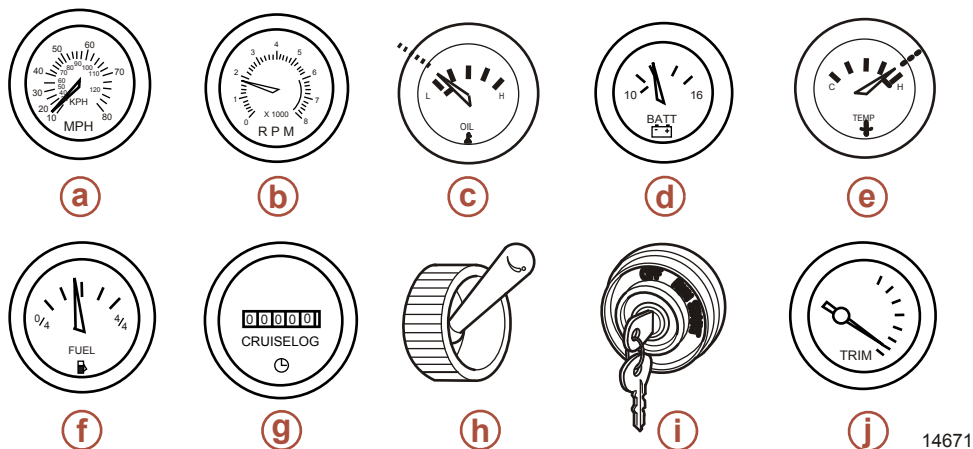
- Occupants could be thrown forward due to unexpected loss of forward motion, a particular concern for passengers in the front of the boat who could be ejected over the bow and possibly struck by the propulsion or steering components.
- Loss of power and directional control in heavy seas, strong current or high winds.
- Loss of control when docking.

### ⚠ WARNING

**Avoid abrupt deceleration of the boat from lanyard stop switch activation. Boat damage and personal injury or death could occur. Never leave the operator's station with the engine operating and in gear.**

## Instrumentation

The following is a brief explanation of the instrumentation typically found on some boats. The owner/operator should be familiar with all instruments and their functions. Because of the large variety of instrumentation and manufacturers, you should have your boat dealer explain the particular gauges and normal readings for your boat.



- |                                    |                                |
|------------------------------------|--------------------------------|
| <b>a</b> - Speedometer             | <b>f</b> - Fuel gauge          |
| <b>b</b> - Tachometer              | <b>g</b> - Hour meter          |
| <b>c</b> - Oil pressure gauge      | <b>h</b> - Bilge blower switch |
| <b>d</b> - Voltmeter               | <b>i</b> - Ignition switch     |
| <b>e</b> - Water temperature gauge | <b>j</b> - Power trim gauge    |

**Speedometer:** Indicates boat speed.

**Tachometer:** Indicates engine RPM.

**Oil Pressure Gauge:** Indicates engine oil pressure.

**Voltmeter:** Indicates battery voltage.

**Water Temperature Gauge:** Indicates engine operating temperature.

**Fuel Gauge:** Indicates quantity of fuel in tank.

**Hour meter:** Records engine operating time.

**Bilge Blower Switch:** Operates bilge blower.

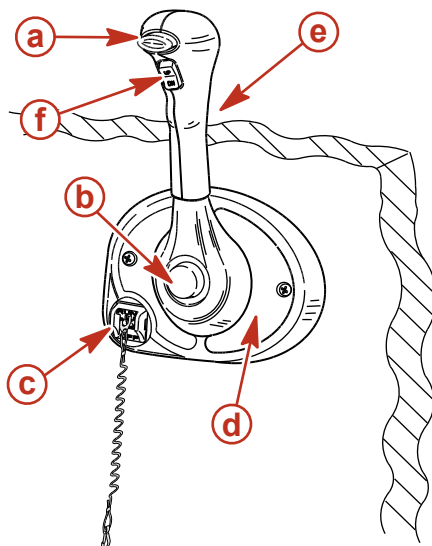
**Ignition Switch:** Allows operator to start and stop engine.

**Power Trim Gauge:** Indicates sterndrive unit angle (trim up/out and down/in).

## Remote Controls

Your boat may be equipped with a Mercury Precision Parts or Quicksilver remote controls. All controls may not have all features shown. Consult your dealer for a description and/or demonstration of your remote control.

### Panel Mount Features



mc77019-1

- a - Neutral lock button
- b - Throttle only button
- c - Lanyard stop switch

- d - Control handle tension adjustment screw
- e - Control handle
- f - Trim/tilt button

**Neutral Lock Button** - Prevents accidental shift and throttle engagement. Neutral lock button must be pushed into move the control handle out of neutral.

**Throttle Only Button** - Allows engine throttle advancement without shifting the engine. This is done by disengaging the shift mechanism from the control handle. The throttle only button can be depressed only when the remote control handle is in the neutral position, and should only be used to assist in starting the engine.

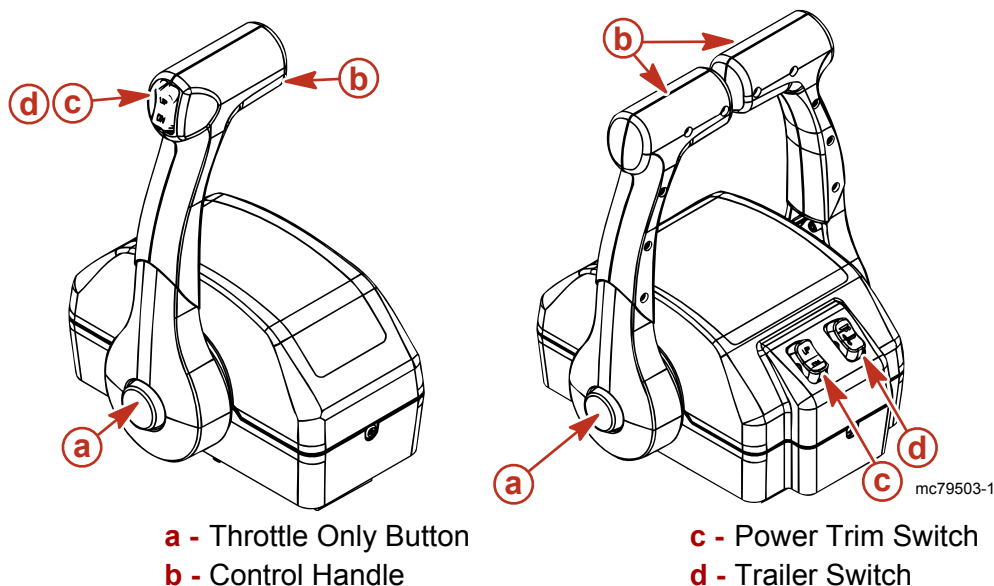
**Lanyard Stop Switch** - Turns the ignition off whenever the operator (when attached to the lanyard) moves far enough away from the operator's position to activate the switch. Refer to **Lanyard Stop Switch** for information on the use of this switch.

**Control Handle** - Operation of the shift and throttle are controlled by the movement of the control handle. Push the control handle forward from neutral with a quick firm motion to the first detent for forward gear. Continue pushing forward to increase speed. Pull the control handle back from neutral with a quick firm motion to the first detent for reverse gear and continue pushing back to increase speed.

**Control Handle Tension Adjustment Screw - (not visible)** This screw is used to adjust the effort required to move the remote control handle. Refer to instructions provided with remote control for complete adjustment instructions.

**Trim/Tilt Button** - Refer to **Power Trim**.

## Console Mount Features



**Throttle Only Button** - Allows engine throttle advancement without shifting the engine. This is done by disengaging the shift mechanism from the control handle. The throttle only button can be depressed only when the remote control handle is in the neutral position.

**Control Handles** - Operation of the the shift and throttle are controlled by the movement of the control handle. Push the control handle forward from neutral with a quick firm motion to the first detent for forward gear and continue pushing forward to increase speed. Pull the control handle back from neutral with a quick firm motion to the first detent for reverse gear and continue pushing back to increase speed.

**Control Handle Tension Adjustment Screw - (not visible)** This screw is used to adjust the effort required to move the remote control handle. Refer to instructions provided with remote control for complete adjustment instructions.

**Power Trim Switch** - See **Power Trim** section for detailed power trim operating procedures.

**Trailer Switch** - Used to raise drive unit for trailering, launching, beaching or shallow water operation. See **Power Trim** for detailed trailer switch operation.

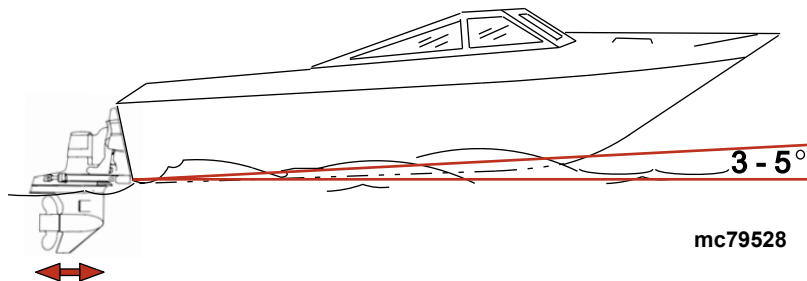
## Power Trim

Power trim allows the operator to adjust the sterndrive angle while underway, to provide the ideal boat angle for varying load and water conditions. Also, the trailering feature allows the operator to raise and lower the sterndrive unit for trailering, beaching, launching, low speed (below 1200 RPM engine speed) and shallow water operation.

### ⚠ CAUTION

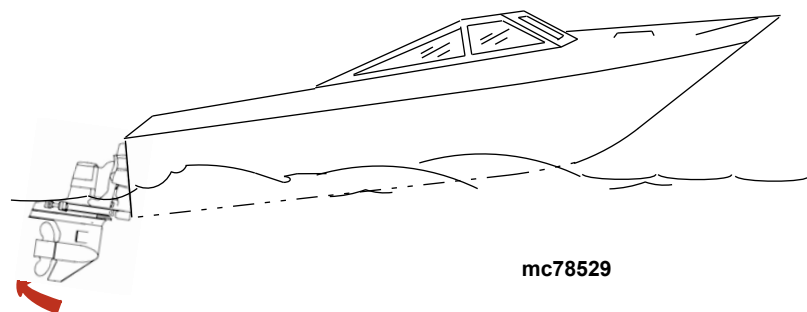
Never trim the sterndrive unit up/out using the trailer switch while boat is underway at engine speeds above 1200 rpm. Use extreme caution when operating with sterndrive unit raised. Severe damage to the sterndrive unit may result if unit is raised beyond the gimbal ring support flanges at engine speeds above 1200 rpm.

For best performance trim the sterndrive unit so that the boat bottom is at a 3-5° angle to the water.



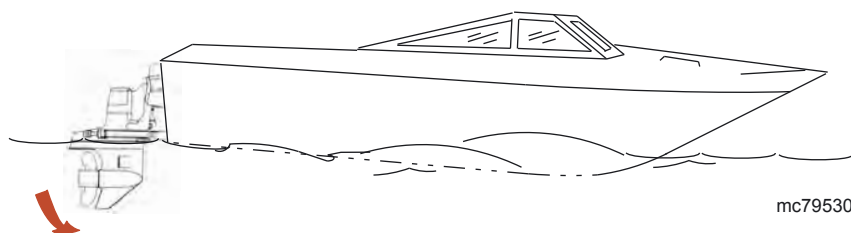
Trimming sterndrive unit up/out can:

- Generally increase top speed
- Increase clearance over submerged objects or a shallow bottom
- Cause boat to accelerate and plane off slower
- In excess, cause boat porpoising (bouncing) or propeller ventilation
- Cause engine overheating if trimmed up/out to a point where any cooling water intake holes are above the water line



Trimming sterndrive unit down/in can:

- Help the boat accelerate and plane off quicker
- Generally improve the ride in choppy water
- In most cases, reduce boat speed
- If in excess, lower the bow of some boats to a point at which they begin to plow with their bow in the water while on plane. This can result in an unexpected turn in either direction called bow steering or over steering if any turn is attempted or if a significant wave is encountered.



## Single Engine Trim/Trailer

Single engine applications will have a button that can be pressed to trim the sterndrive unit up or down.

To raise the sterndrive unit for trailering, beaching, launching, low speed (below 1200 rpm), and shallow water operation push the trim button to raise the sterndrive unit to the full up/out position.

Some controls also have a trailer button that trims the sterndrive to a position suitable for trailer purposes only.

## Dual Engine Trim/Trailer

### ⚠ CAUTION

**Avoid twisting or binding dual engine tie bars. Damage to the tie bar and sterndrives could occur. Always raise or lower the sterndrive units evenly.**

Dual engine applications may have a single integral button to operate both sterndrive units simultaneously or may have separate buttons for each sterndrive unit.

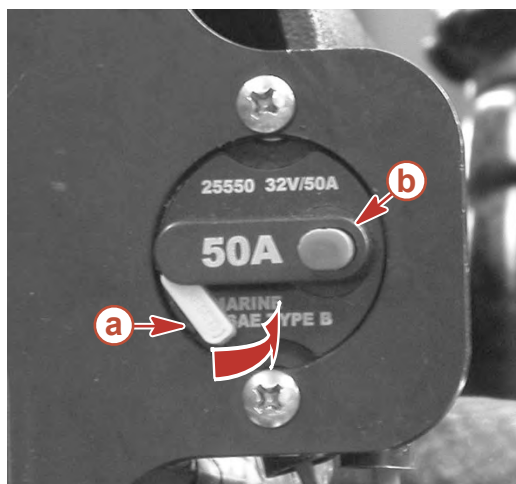
Some controls also have a trailer button that trims the sterndrives to a position suitable for trailer purposes only.

## Electrical System Overload Protection-Carbureted Engines

If an electrical overload occurs, a fuse will blow or the circuit breaker will trip open. The cause must be found and corrected before replacing the fuse or resetting the circuit breaker.

**NOTE:** *In an emergency, when the engine must be operated and the cause for the high current draw cannot be located and corrected, turn off or disconnect all accessories connected to the engine and instrumentation wiring. Reset the circuit breaker. If the breaker remains open, the electrical overload has not been eliminated. Further checks must be made on the electrical system. Contact your authorized dealer.*

1. A circuit breaker provides protection for the engine wiring harness and the instrumentation power lead. The circuit breaker can be tested by pushing the red button. If the circuit breaker is functioning properly, the yellow lever will appear. Reset the yellow lever after testing, or if tripped, by pushing the yellow lever back into the housing.



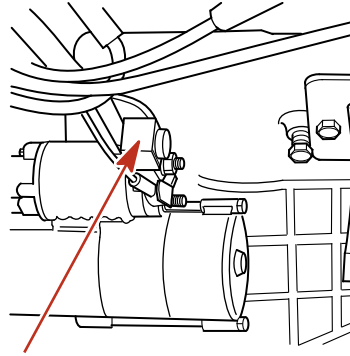
22529

**Yellow lever style circuit breaker-typical**

**a** - Yellow lever-shown tripped

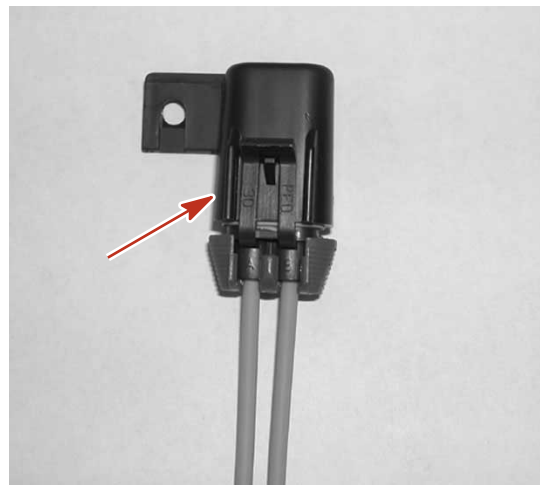
**b** - Red test button

2. A 90 amp fuse is located on the large post of the starter solenoid. This fuse is designed to protect the engine wiring harness if an electrical overload occurs.



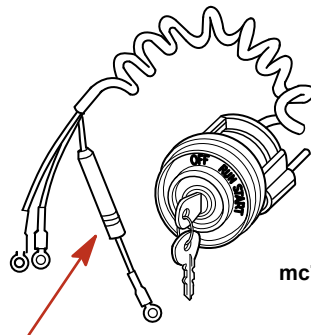
mc74907-1

3. A 15 amp accessory fuse is located on the rear of the engine. This fuse protects the accessory circuits. A 20 amp fuse is located on the top of the engine to protect the TKS circuit.



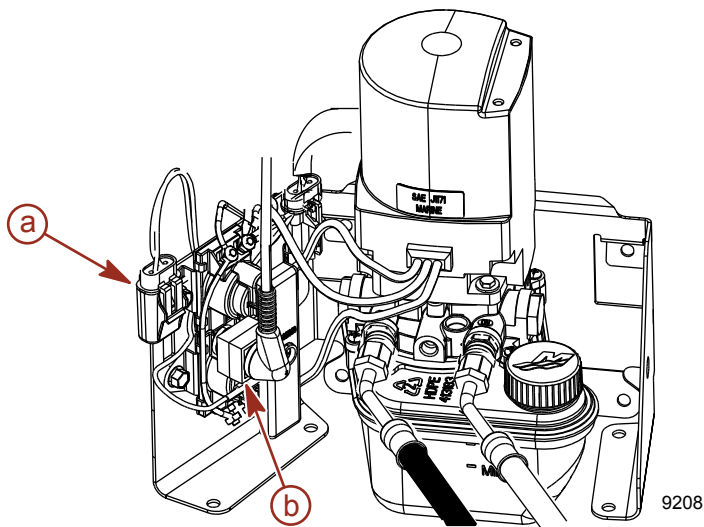
7524

4. A 20 amp fuse may be located in the ignition switch "I" terminal lead to protect the electrical system. Check for blown fuse if the ignition key is turned to the "START" position and nothing happens (and circuit breaker is not tripped).



mc70525-1

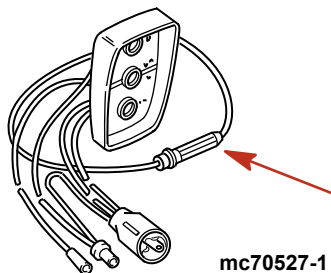
- The power trim system is protected from overload by a 110 amp fuse and a 20 amp spade fuse on the power trim pump. The trim pump may also have an in-line circuit protection device in the power trim positive lead near the battery switch or battery connection.



**a** - 20 amp spade fuse

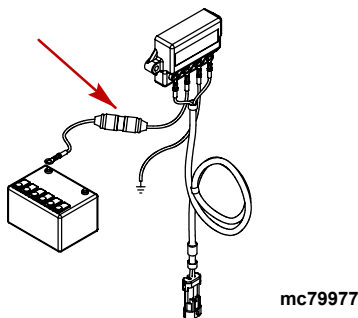
**b** - 110 amp fuse

- The Quicksilver Three-Button Power Trim Control Panel is further protected by a 20 amp in-line fuse.



mc70527-1

- The Quicksilver MerCathode System has a 20 amp in-line fuse in the wire which connects to the positive (+) terminal on controller. If the fuse is blown, the system will not operate resulting in a loss of corrosion protection.



mc79977

## Audio Warning System

Your Mercury MerCruiser power package may be equipped with an Audio Warning System. The Audio Warning System will not protect the engine from damage. It is designed to warn the operator that a problem has occurred.

The audio warning system will sound with a continuous horn if one of the following occurs:

- Engine oil pressure too low
- Engine temperature too hot
- Sterndrive oil level too low

**⚠ CAUTION**

**Operation of the engine after the audio warning system alarm has sounded could result in damage to the power package. When the alarm has sounded, do not operate engine except to avoid a hazardous situation.**

If the alarm sounds, stop the engine immediately. Investigate cause and correct it, if possible. If the cause cannot be determined, contact your authorized Mercury MerCruiser dealer.

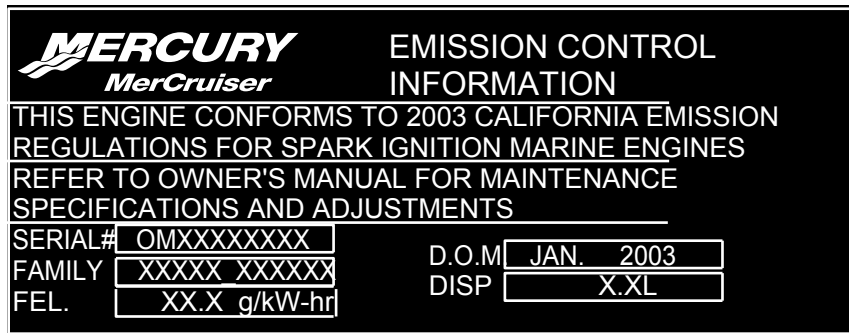
## Testing The Audio Warning System

1. Turn the ignition switch to the "ON" position without cranking the engine.
2. Listen for the audio alarm. The alarm will sound if the system is functioning correctly.

## Emissions Information

### Emission Control Information Label

A tamper-resistant Emission Control Information label is affixed in a visible location to the engine at time of manufacture by Mercury MerCruiser. In addition to the required emissions statement, the label lists the engine serial number, family, FEL (emission level), date of manufacture (month, year), and the engine displacement. Please note that the low emissions certification will not affect the fit, function, or performance of the engines. Boatbuilders and dealers may not remove the label or the part it is affixed to before sale. If modifications are necessary, contact Mercury MerCruiser about the availability of replacement decals before proceeding.



11018

### Emission Control Label - Non CE Marked

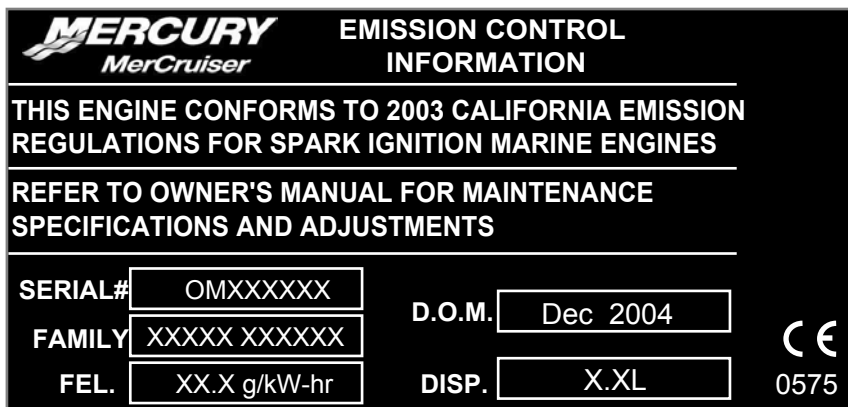
"SERIAL#" - Engine Serial Number

"FAMILY" - Engine Family

"FEL." - Family Emission Limit

"D.O.M." - Date of Manufacture

"DISP" - Piston Displacement



10652

**Emission Control Label - CE Marked**

"SERIAL#" - Engine Serial Number

"FAMILY" - Engine Family

"FEL." - Family Emission Limit

"D.O.M." - Date of Manufacture

"DISP" - Piston Displacement

CE - When this mark is present in the lower right corner of the Emission Control Information Label, on the engine, the Declaration of Conformance applies. Refer to the front page of this Manual for further information.

**OWNER RESPONSIBILITY**

The owner/operator is required to have routine engine maintenance performed to maintain emission levels within prescribed certification standards.

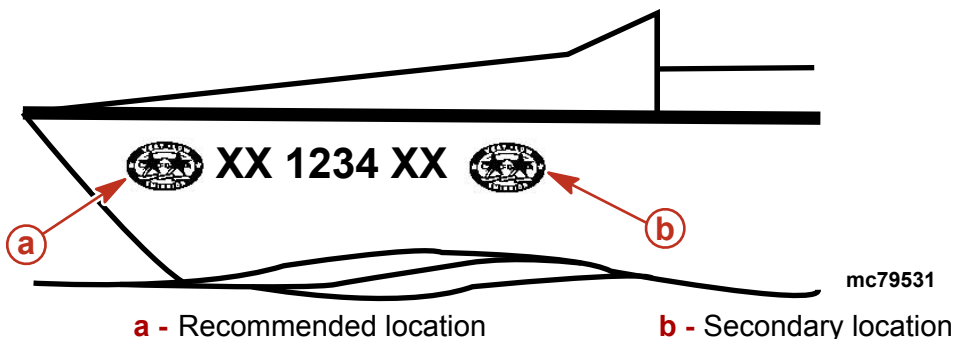
The owner/operator is not to modify the engine in any manner that would alter the horsepower or allow emissions levels to exceed their predetermined factory specifications.





**Star Label**

Beginning January 1, 2003, one Three-Star label will be included with each factory-certified Mercury MerCruiser engine.

All Mercury MerCruiser engines (500 hp and below) will have a Three-Star Ultra Low Emission rating. The Three-Star label identifies that these engines meet the California Air Resources Board's Sterndrive and Inboard marine engine 2003 exhaust emission standards. Engines meeting these standards have 65% lower emissions than One-Star - Low Emissions engines.

The Three-Star label will be affixed on the left side of the hull as shown.



<b>One Star - Low emission</b>	
 <p>mc79569-1</p>	<p>The one-star label identifies personal watercraft, outboard, sterndrive and inboard engines that meet the Air Resources Board's Personal Watercraft and Outboard marine engine 2001 exhaust emission standards. Engines meeting these standards have 75% lower emissions than conventional carbureted two-stroke engines. These engines are equivalent to the U.S. EPA's 2006 standards for marine engines.</p>
<b>Two Stars - Very Low emission</b>	
 <p>mc79570-1</p>	<p>The two-star label identifies personal watercraft, outboard, sterndrive and inboard engines that meet the Air Resources Board's Personal Watercraft and Outboard marine engine 2004 exhaust emission standards. Engines meeting these standards have 20% lower emissions than One Star - Low-Emission engines.</p>
<b>Three Stars - Ultra Low emission</b>	
 <p>mc79571-1</p>	<p>The three-star label identifies engines that meet the Air Resources Board's Personal Watercraft and Outboard marine engine 2008 exhaust emission standards or the Sterndrive and Inboard marine engine 2003 exhaust emission standards. Engines meeting these standards have 65% lower emissions than One Star - Low Emission engines.</p>
<b>Four Stars - Super Ultra Low emission</b>	
 <p>mc79572-1</p>	<p>The Four Star label identifies engines that meet the Air Resources Board's Sterndrive and Inboard marine engine 2009 exhaust emission standards. Personal Watercraft and Outboard marine engines may also comply with these standards. Engines meeting these standards have 90% lower emissions than One Star - Low Emission engines.</p>

## Section 3 - On The Water

### Table of Contents

Safe Boating Suggestions.....	26	Passenger Safety In Pontoon Boats And Deck Boats.....	32
Be Alert To Carbon Monoxide Poisoning.....	27	Boats Having An Open Front Deck .....	32
Good Ventilation .....	28	Boats With Front-Mounted, Raised Pedestal Fishing Seats .....	32
Poor Ventilation .....	28	Wave And Wake Jumping.....	33
Basic Boat Operation.....	28	Impact With Underwater Hazards.....	33
Launching and Boat Operation.....	28	Drive Unit Impact Protection .....	34
Operation Chart .....	29	Conditions Affecting Operation.....	34
Starting and Stopping the Engine.....	29	Weight Distribution (Passengers and Gear)	
Starting the Engine .....	29	Inside the Boat.....	34
Stopping the Engine .....	30	Bottom Of Boat.....	34
Starting Engine After Stopped While In Gear .....	30	Cavitation.....	35
Throttle Only Operation.....	30	Ventilation.....	35
Trailing the Boat.....	30	Elevation And Climate.....	35
Freezing Temperature Operation.....	31	Propeller Selection.....	35
Drain Plug and Bilge Pump.....	31	Getting Started.....	36
Protecting People In The Water.....	31	20-Hour Break-In Period.....	36
While You Are Cruising .....	31	After Break-In Period.....	36
While Boat Is Stationary .....	31	End of First Season Checkup.....	37
High-Speed And High-Performance Boat Operation .....	31		

## Safe Boating Suggestions

In order to safely enjoy the waterways, familiarize yourself with local and all other governmental boating regulations and restrictions, and consider the following suggestions.

### **Know and obey all nautical rules and laws of the waterways.**

- Mercury MerCruiser strongly recommends that all powerboat operators complete a boating safety course. Courses are offered in the U.S.A. by: The U.S. Coast Guard Auxiliary, The Power Squadron, The Red Cross and your state or provincial boating law enforcement agency. Inquiries may be made to the Boating Hotline at 1-800-368-5647 or the Boat U.S. Foundation at 1-800-336-BOAT.

### **Perform safety checks and required maintenance.**

- Follow a regular schedule and ensure that all repairs are properly made.

### **Check safety equipment on board.**

- Here are some suggestions of the types of safety equipment to carry when boating:
  - Approved fire extinguishers
  - Signal devices: flashlight, rockets or flares, flag and whistle or horn
  - Tools necessary for minor repairs
  - Anchor and extra anchor line
  - Manual bilge pump and extra drain plugs
  - Drinking water
  - Transistor radio
  - Paddle or oar
  - Spare propeller, thrust hubs, and an appropriate wrench
  - First aid kit and instructions
  - Water-proof storage containers
  - Spare operating equipment, batteries, bulbs and fuses
  - Compass and map or chart of the area
  - Personal flotation device (1 per person on board)

### **Watch for signs of weather change and avoid foul weather and rough-sea boating.**

### **Tell someone where you are going and when you expect to return.**

### **Passenger boarding.**

- Stop the engine whenever passengers are boarding, unloading or are near the back (stern) of the boat. Shifting the drive unit into neutral is not sufficient.

### **Use personal flotation devices.**

- Federal Law requires that there be a U. S. Coast Guard approved life jacket (personal flotation device), correctly sized and readily accessible for every person on board, plus a throwable cushion or ring. We strongly advise that everyone wear a life jacket at all times while in the boat.

### **Prepare other boat operators.**

- Instruct at least 1 person on board in the basics of starting and operating the engine and boat handling in case the driver becomes disabled or falls overboard.

### **Do not overload your boat.**

- Most boats are rated and certified for maximum load (weight) capacities (refer to your boat capacity plate). Know your boat's operating and loading limitations. Know if your boat will float if full of water. When in doubt, contact your authorized Mercury MerCruiser dealer or the boat manufacturer.

**Ensure that everyone in the boat is properly seated.**

- Do not allow anyone to sit or ride on any part of the boat that was not intended for such use. This includes the backs of seats, gunwales, transom, bow, decks, raised fishing seats and any rotating fishing seat; anywhere that sudden unexpected acceleration, sudden stopping, unexpected loss of boat control or sudden boat movement could cause a person to be thrown overboard or into the boat. Ensure that all passengers have a proper seat and are in it before any boat movement.

**Never be under the influence of alcohol or drugs while boating (it is the law).**

- They impair your judgment and greatly reduce your ability to react quickly.

**Know your boating area and avoid hazardous locations.****Be alert.**

- The operator of the boat is responsible by law to maintain a proper lookout by sight and hearing. The operator must have an unobstructed view particularly to the front. No passengers, load or fishing seats should block the operators view when the boat is above idle or planing transition speed. Watch out for others, the water and your wake.

**Never drive your boat directly behind a water skier in case the skier falls.**

- As an example, your boat traveling at 40 km/h (25 MPH) will overtake a fallen skier who was 61 m (200 ft.) in front of you in 5 seconds.

**Watch fallen skiers.**

- When using your boat for water skiing or similar activities, always keep a fallen or down skier on the operator's side of the boat while returning to attend to the skier. The operator should always have the down skier in sight and never back up to the skier or anyone in the water.

**Report accidents.**

- Boat operators are required by law to file a Boating Accident Report with their state boating law enforcement agency when their boat is involved in certain boating accidents. A boating accident must be reported if 1) there is loss of life or probable loss of life, 2) there is personal injury requiring medical treatment beyond first aid, 3) there is damage to boats or other property where the damage value exceeds \$500.00 or 4) there is complete loss of the boat. Seek further assistance from local law enforcement.

## Be Alert To Carbon Monoxide Poisoning

Carbon monoxide is present in the exhaust fumes of all internal combustion engines including the outboards, sterndrives and inboard engines that propel boats, as well as the generators that power various boat accessories. Carbon monoxide is a deadly gas that is odorless, colorless and tasteless.

Early symptoms of carbon monoxide poisoning, which should not be confused with seasickness or intoxication, include headache, dizziness, drowsiness and nausea.

**⚠ WARNING**

**Avoid prolonged exposure to carbon monoxide. Carbon monoxide poisoning can lead to unconsciousness, brain damage or death. Ensure that the boat, while at rest or underway, is well ventilated.**

## Good Ventilation

Ventilate the passenger area, open the side curtains or forward hatches to remove fumes.

1. Example of desired air flow through the boat.



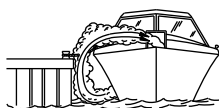
mc79553-1

## Poor Ventilation

Under certain conditions, permanently enclosed or canvas enclosed cabins or cockpits with insufficient ventilation may draw in carbon monoxide. Install one or more carbon monoxide detectors in your boat.

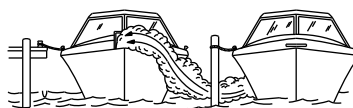
Although the occurrence is rare, on a very calm day, swimmers and passengers in an open area of a stationary boat that contains or is near an operating engine may be exposed to a hazardous level of carbon monoxide.

1. Examples of poor ventilation while a boat is stationary:



(a)

**a** - Operating the engine when the boat is moored in a confined space



(b)

**b** - Mooring close to another boat with its engine operating

mc79554-1

2. Examples of poor ventilation while a boat is moving:



(a)

**a** - Operating the boat with the trim angle of the bow too high



(b)

**b** - Operating the boat with no forward hatches open (station wagon effect)

mc79556-1

## Basic Boat Operation

### Launching and Boat Operation

**IMPORTANT:** Install bilge drain plug prior to launching boat.

#### ⚠ CAUTION

To avoid possible ingestion of water that can damage engine components, do not turn the ignition key off when the engine is above idle speed. When launching your boat from a steep ramp, enter the water slowly. Do not use the lanyard stop switch to shut off the engine above idle speed. When coming off plane, if a large following wave may roll over the boat's transom, apply a short, light burst of throttle to minimize the wave action against the stern of the boat. Do not come off plane quickly and then shut off the engine. Also avoid shifting into reverse while on plane.

## OPERATION CHART

Operation Chart			
BEFORE STARTING	AFTER STARTING	WHILE UNDERWAY	AFTER STOPPING
Install bilge drain plug.	Observe all gauges to check condition of engine. If not normal, stop engine.	Observe all gauges to check condition of engine. If not normal, stop engine.	Turn ignition key to the "OFF" position.
Open engine hatch.	Check for fuel, oil, water, fluid and exhaust leaks.	Listen for the audio alarm.	Turn battery switch to the "OFF" position.
Turn battery switch on.	Check shift and throttle control operation.		Close fuel shut off valve.
Operate bilge blowers.	Check steering operation.		Close seacock, if equipped.
Open fuel shut off valve.			Flush cooling system if in saltwater.
Open seacock, if equipped.			Drain bilge.
Close the drain system.			
Place sterndrive unit in full down/in position.			
Check the engine oil.			
Perform all other checks specified by your dealer and/or boat builder.			
Listen for Audio Warning Alarm to sound when the ignition switch is in the "ON" position.			

## Starting and Stopping the Engine

**NOTE:** Only perform those functions applicable to your power package.

## STARTING THE ENGINE

1. Check all items listed in the Operation Chart.
2. Place the remote control handle in neutral.

**⚠ CAUTION**

**Overheating from insufficient cooling water will cause engine and drive system damage. Ensure that there is sufficient water always available at water inlet holes during operation.**

**⚠ WARNING**

**Explosive gasoline fumes collect in the engine compartment. Avoid injury or property damage, operate the bilge blower for at least 5 minutes prior to starting the engine. If the boat is not equipped with a bilge blower, open the engine hatch and leave it open while starting the engine.**

3. Turn ignition key to "START". Release key when engine starts and allow switch to return to "ON" position. Allow the engine to warm up (6–10 minutes on the first start of the day).

**NOTE:** If the engine has not run for a long period of time it may require a couple of attempts.

4. If engine does not start after 3 attempts:

- a. Push the **throttle only** button and position the remote control handle/throttle lever to the 1/4 throttle position.
- b. Turn ignition key to "START". Release key when engine starts and allow switch to return to "ON" position.
5. If engine does not start after step 4:
  - a. Move the remote control handle/throttle lever to full throttle position, then return to 1/4 throttle.
  - b. Turn ignition key to "START". Release key when engine starts and allow switch to return to "ON" position.
6. Inspect the power package for fuel, oil, water and exhaust leaks.
7. Move control handle with a firm, quick motion forward to shift to forward gear, or backward to shift to reverse. After shifting, advance throttle to desired setting.

 **CAUTION**

**Avoid damage to the drive system. Shifting the drive system at RPMs greater than engine idle speed may cause internal damage to the drive system. Shift the drive system only when the engine is at idle RPM.**

## STOPPING THE ENGINE

1. Move the remote control handle to neutral/idle and allow the engine to slow to idle speed. If engine has been operated at high speed for a long period of time, allow the engine to cool at idle speed for 3 to 5 minutes.
2. Turn ignition key to the "OFF" position.

## Starting Engine After Stopped While In Gear

**IMPORTANT: Avoid stopping the engine if the sterndrive unit is in gear. If the engine does stop, refer to the following procedure:**

1. Push and pull repeatedly on the remote control handle until handle returns to the neutral/idle position. This may take several tries if the power package was operating above idle RPM when the engine stopped.
2. After the handle returns to the neutral/idle position, resume normal starting procedures.

## Throttle Only Operation

1. Refer to **Remote Controls** section for remote control features.
2. Move the control lever to the idle/neutral position.
3. Depress and hold the throttle only button, and move the control lever to the idle/forward or idle/reverse position.
4. Advancing the control lever beyond the idle/forward or idle/reverse position will cause engine speed to increase.

**IMPORTANT: Moving the control lever back to the idle/neutral position will disengage the throttle only button and allow the engine to shift into gear.**

5. Throttle only mode is deactivated by moving the control lever to the idle/neutral position. Moving the control lever from the idle/neutral position to the idle/forward or idle/reverse position without pressing the throttle only button will shift the unit into the chosen gear.

## Trailing the Boat

Your boat can be trailered with the sterndrive unit in the up or down position. Adequate clearance is required between the road and sterndrive when transporting.

If adequate road clearance is a problem, place the sterndrive unit in full trailer position and support it with an optional trailer kit which is available from your authorized Mercury MerCruiser dealer.

## Freezing Temperature Operation

**IMPORTANT:** If the boat is operated during periods of freezing temperature, precautions must be taken to prevent freeze damage to the power package. Damage caused by freezing is not covered by Mercury MerCruiser Limited Warranty.

## Drain Plug and Bilge Pump

The engine compartment in your boat is a natural place for water to collect. For this reason, boats are normally equipped with a drain plug and/or a bilge pump. It is very important to check these items on a regular basis to ensure that the water level does not come into contact with your power package. Components on your engine will be damaged if submerged. Damage caused by submersion is not covered by the Mercury MerCruiser Limited Warranty.

## Protecting People In The Water

### While You Are Cruising

It is very difficult for a person in the water to take quick action to avoid a boat heading in their direction, even at slow speeds.



Always slow down and exercise extreme caution any time you are boating in an area where there might be people in the water.

Whenever a boat is moving (even coasting) and the gear shift is in neutral, there is sufficient force by the water on the propeller to cause the propeller to rotate. This neutral propeller rotation can cause serious injury.

### While Boat Is Stationary

#### **⚠ WARNING**

**Stop your engine immediately whenever anyone in the water is near your boat. Serious injury to the person in the water is likely if contacted by a rotating propeller, a moving boat, a moving gearcase, or any solid device rigidly attached to a moving boat or gearcase.**

Shift into neutral and shut off the engine before allowing people to swim or be in the water near your boat.

## High-Speed And High-Performance Boat Operation

If your boat is considered a high-speed or high-performance boat with which you are unfamiliar, we recommend that you never operate it at its high speed capability without first requesting an initial orientation and demonstration ride with your dealer or an operator experienced with your boat. For additional information, refer to **Hi-Performance Boat Operation** booklet (90-849250-R2) from your dealer, distributor or Mercury Marine.

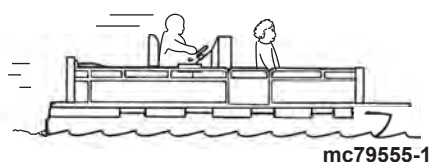
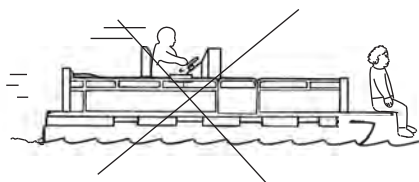
## Passenger Safety In Pontoon Boats And Deck Boats

Whenever the boat is in motion, observe the location of all passengers. Do not allow any passengers to stand or use seats other than those designated for traveling faster than idle speed. A sudden reduction in boat speed, such as plunging into a large wave or wake, a sudden throttle reduction, or a sharp change of boat direction, could throw them over the front of boat. Falling over the front of the boat between the two pontoons will position them to be run over.

### Boats Having An Open Front Deck

No one should ever be on the deck in front of the fence while the boat is in motion. Keep all passengers behind the front fence or enclosure.

Persons on the front deck could easily be thrown overboard or persons dangling their feet over the front edge could get their legs caught by a wave and pulled into the water.

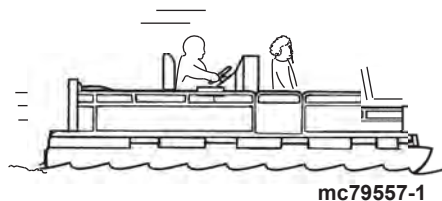
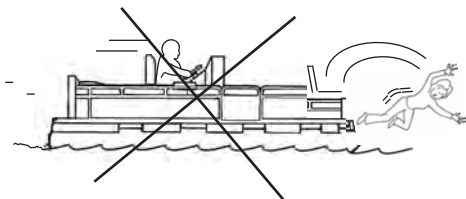


<b>⚠ WARNING</b>
<b>Avoid serious injury or death from falling over the front end of a pontoon or deck boat and being run over. Stay back from the front end of the deck and remain seated while the boat is in motion.</b>

### Boats With Front-Mounted, Raised Pedestal Fishing Seats

Elevated fishing seats are not intended for use when the boat is traveling faster than idle or trolling speed. Sit only in seats designated for traveling at faster speeds.

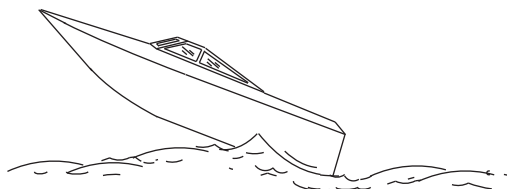
Any unexpected, sudden reduction in boat speed could result in the elevated passenger falling over the front of the boat.



## Wave And Wake Jumping

### ⚠ WARNING

**Avoid serious injury or death from being thrown within or out of a boat when it lands after jumping a wave or wake. Avoid wave or wake jumping whenever possible. Instruct all occupants that if a wake or wave jump occurs, get low and hang on to a boat hand hold.**



mc79680-1

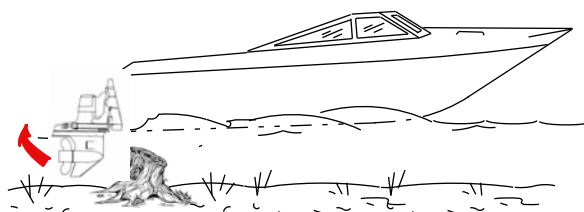
Operating recreational boats over waves and wakes is a natural part of boating. However, when this activity is done with enough speed to force the boat hull partially or completely out of the water, certain hazards arise, particularly when the boat re-enters the water.

The primary concern is the boat changing direction while in the midst of the jump. In such cases the landing may cause the boat to violently veer in a new direction. Such a sharp change in direction or turn can cause occupants to be thrown out of their seats or out of the boat.

There is another less common hazardous result from allowing your boat to launch off of a wave or wake. If the bow of your boat pitches down far enough while airborne, upon water contact it may penetrate under the water surface and submarine for an instant. This will bring the boat nearly to a stop in an instant and can send the occupants flying forward. The boat may also veer sharply to one side.

## Impact With Underwater Hazards

Reduce speed and proceed with caution whenever you're driving a boat in shallow water or in areas where the waters are suspected of having underwater obstacles that could be struck by the underwater drive components, rudder or the boat bottom.



mc79679-1

**IMPORTANT:** The most important thing you can do to help reduce injury or impact damage from striking a floating or underwater object is control the boat speed. Under these conditions, boat speed should be kept to a maximum speed of 24 to 40 km/h (15 to 25 MPH).

Striking a floating/underwater object may result in an infinite number of situations. Some of these situations could result in the following:

- The boat could move suddenly in a new direction. Such a sharp change in direction or turn can cause occupants to be thrown out of their seats or out of the boat.
- A rapid reduction in speed. This will cause occupants to be thrown forward, even out of the boat.

- Impact damage to the underwater drive components, rudder and/or boat.

Keep in mind, one of the most important things you can do to help reduce injury or impact damage in these situations is control the boat speed. Boat speed should be kept to a minimum planing speed when driving in waters known to have underwater obstacles.

After striking a submerged object, stop the engine as soon as possible and inspect the drive system for any broken or loose parts. If damage is present or suspected, the power package should be taken to an authorized Mercury MerCruiser dealer for a thorough inspection and necessary repair.

The boat should be checked for hull fractures, transom fractures and water leaks.

Operating with damaged underwater drive components, rudder or boat bottom could cause additional damage to other parts of the power package, or could affect control of the boat. If continued operation is necessary, do so at greatly reduced speeds.

**⚠ WARNING**

**Avoid serious injury or death from loss of boat control. Continued boating with major impact damage can result in sudden component failure with or without subsequent impacts. Have the power package thoroughly inspected and any necessary repairs made.**

## Drive Unit Impact Protection

The power trim hydraulic system is designed to provide impact protection for the sterndrive unit. If a submerged object is struck while the boat is moving forward, the hydraulic system will cushion the kickup of the sterndrive unit as it clears the object, reducing damage to the unit. After the sterndrive unit has cleared the object, the hydraulic system allows the sterndrive unit to return to its original operating position, preventing loss of steering control and engine overspeed.

Use extreme caution when operating in shallow water or where underwater objects are known to be present. No impact protection is provided in reverse; use extreme care to prevent striking submerged objects while operating in reverse.

**IMPORTANT: Impact protection system cannot be designed to ensure total protection from impact damage under all conditions.**

## Conditions Affecting Operation

### Weight Distribution (Passengers and Gear) Inside the Boat

#### Shifting weight to rear (stern):

- Generally increases speed and engine RPM
- Causes bow to bounce in choppy water
- Increases danger of following wave splashing into the boat when coming off plane
- At extremes, can cause the boat to porpoise

#### Shifting weight to front (bow):

- Improves ease of planing
- Improves rough water ride
- At extremes, can cause the boat to veer back and forth (bow steer)

### Bottom Of Boat

To maintain maximum speed, the boat bottom should be:

- Clean, free of barnacles and marine growth

- Free of distortion; nearly flat where it contacts the water
- Straight and smooth, fore and aft

Marine vegetation may accumulate when the boat is docked. This growth must be removed before operation; it may clog the water inlets and cause the engine to overheat.

## Cavitation

Cavitation occurs when water flow cannot follow the contour of a fast-moving underwater object, such as a gear housing or a propeller. Cavitation permits the propeller to speed up, but the boat speed to reduce. Cavitation can seriously erode the surface of the gear housing or the propeller. Common causes of cavitation are:

- Weeds or other debris snagged on the propeller
- Bent propeller blade
- Raised burrs or sharp edges on the propeller

## Ventilation

Ventilation is caused by surface air or exhaust gases that are introduced around the propeller resulting in propeller speed-up and a reduction in boat speed. Air bubbles strike the propeller blade and cause erosion of the blade surface. If allowed to continue, eventual blade failure (breakage) will occur. Excessive ventilation is usually caused by:

- Drive unit trimmed out too far.
- A missing propeller diffuser ring.
- A damaged propeller or gear housing, which allows exhaust gases to escape between propeller and gear housing.
- Drive unit installed too high on transom.

## Elevation And Climate

Elevation and climate changes will affect the performance of your power package. Loss of performance can be caused by:

- Higher elevations
- Higher temperatures
- Low barometric pressures
- High humidity

For you to have optimum engine performance under changing weather conditions, it is essential that the engine be propped to allow the engine to operate at or near the top end of the specified maximum RPM range with a normal boat load during your normal boating weather conditions.

In most cases, recommended RPM can be achieved by changing to a lower pitch propeller.

## Propeller Selection

**IMPORTANT: The engines covered in this manual are equipped with an RPM rev-limiter that is set to an upper (or limited) RPM amount. This limit is slightly above the normal operating range of the engine and is designed to help prevent damage from excessive engine RPM. Once the RPM returns to the recommended operating RPM range, normal engine operation resumes.**

It is the responsibility of the boat manufacturer and/or the selling dealer to equip the power package with the correct propeller. Refer to Mercury Marine's web page [http://www.mercurymarine.com/everything\\_you\\_need\\_to\\_know\\_about\\_propellers6](http://www.mercurymarine.com/everything_you_need_to_know_about_propellers6).

Select a propeller that will allow the engine power package to operate at or near the top end of the recommended WOT operating RPM range with a normal load.

If full throttle operation is below the recommended range, the propeller must be changed to prevent loss of performance and possible engine damage. On the other hand, operating an engine above the recommended operating RPM range will cause higher than normal wear and/or damage.

After initial propeller selection, the following common problems may require that the propeller be changed to a lower pitch.

- Warmer weather and greater humidity cause a loss of RPM.
- Operating in a higher elevation causes a loss of RPM.
- Operating with a dirty boat bottom causes a loss of RPM.
- Operating with increased load (additional passengers, pulling skiers) causes a loss of RPM.

For better acceleration, such as is needed for water skiing, use the next lower pitch propeller. When not pulling skiers, do not operate at full throttle when using the lower pitch propeller.

## Getting Started

### 20-Hour Break-In Period

**IMPORTANT: The first 20 hours of operation is the engine break-in period. Correct break-in is essential to obtain minimum oil consumption and maximum engine performance. During this break-in period, the following rules must be observed:**

- Do not operate below 1500 RPM for extended periods of time for the first 10 hours. Shift into gear as soon as possible after starting and advance the throttle above 1500 rpm **if conditions permit safe operation.**
- Do not operate at one speed consistently for extended periods.
- Do not exceed 3/4 throttle during the first 10 hours. During the next 10 hours, occasional operation at full throttle is permissible (5 minutes at a time maximum).
- Avoid full throttle acceleration from idle speed.
- Do not operate at full throttle until the engine reaches normal operating temperature.
- Frequently check engine oil level. Add oil as needed. It is normal for oil consumption to be high during the break-in period.

### After Break-In Period

To help extend the life of your Mercury MerCruiser power package, the following recommendations should be considered;

- Ensure that propeller allows the engine to operate at or near the top of the specified WOT RPM range (Refer to **Specifications** and **Maintenance**) when at full throttle with a normal boat load.
- Operation at 3/4 throttle setting or lower is recommended. Refrain from prolonged operation at WOT RPM.
- Change the engine oil and oil filter. Refer to **Maintenance**.
- Change the sterndrive lube or transmission oil and filter. Refer to **Maintenance** (ZF Transmission models).<sup>1</sup>

1. Require fluid and filter change after the first 25 hours and then every 100 hours.

## **End of First Season Checkup**

At the end of the first season of operation, contact an authorized Mercury MerCruiser dealer to discuss and/or perform scheduled maintenance items. If you are in an area where the product is operated continuously, year-round, you should contact your dealer at the end of the first 100 hours of operation or once yearly, whichever occurs first.

**Notes:**

## Section 4 - Specifications

### Table of Contents

---

Fuel Requirements.....	40	Engine Oil.....	41
Fuel Ratings .....	40	Engine Specifications.....	41
Using Reformulated (Oxygenated) Gasolines		Fluid Specifications.....	42
(USA Only) .....	40	Sterndrives .....	42
Gasolines Containing Alcohol .....	40	Engine .....	42

---

## Fuel Requirements

**IMPORTANT: Use of improper gasoline can damage your engine. Engine damage resulting from the use of improper gasoline is considered misuse of the engine, and damage caused thereby will not be covered under the limited warranty.**

### Fuel Ratings

Mercury MerCruiser engines will operate satisfactorily when using a major brand of unleaded gasoline meeting the following specifications:

**USA and Canada** - having a posted pump Octane Rating of 87 (R+M)/2 minimum. Premium gasoline [92 (R+M)/2 Octane] is also acceptable. Do not use leaded gasoline.

**Outside USA and Canada** - having a posted pump Octane Rating of 90 RON minimum. Premium gasoline (98 RON) is also acceptable. If unleaded gasoline is not available, use a major brand of leaded gasoline.

### Using Reformulated (Oxygenated) Gasolines (USA Only)

This type of gasoline is required in certain areas of the USA. The 2 types of oxygenates used in these fuels is Alcohol (Ethanol) or Ether (MTBE or ETBE). If Ethanol is the oxygenate that is used in the gasoline in your area, refer to Gasolines Containing Alcohol.

These Reformulated Gasolines are acceptable for use in your Mercury MerCruiser engine.

### Gasolines Containing Alcohol

If the gasoline in your area contains either methanol (methyl alcohol) or ethanol (ethyl alcohol), you should be aware of certain adverse effects that can occur. These adverse effects are more severe with methanol. Increasing the percentage of alcohol in the fuel can also worsen these adverse effects.

Some of these adverse effects are caused because the alcohol in the gasoline can absorb moisture from the air, resulting in a separation of the water/alcohol from the gasoline in the fuel tank.

The fuel system components on your Mercury MerCruiser engine will withstand up to 10% alcohol content in the gasoline. We do not know what percentage your boat's fuel system will withstand. Contact your boat manufacturer for specific recommendations on the boat's fuel system components (fuel tanks, fuel lines, and fittings). Be aware that gasolines containing alcohol may cause increased:

- Corrosion of metal parts
- Deterioration of rubber or plastic parts
- Fuel permeation through rubber fuel lines
- Starting and operating difficulties

#### WARNING

**FIRE AND EXPLOSION HAZARD: Fuel leakage from any part of the fuel system can be a fire and explosion hazard which can cause serious bodily injury or death. Careful periodic inspection of entire fuel system is mandatory, particularly after storage. All fuel components should be inspected for leakage, softening, hardening, swelling or corrosion. Any sign of leakage or deterioration requires replacement before further engine operation.**

Because of possible adverse effects of alcohol in gasoline, it is recommended that only alcohol-free gasoline be used where possible. If only fuel containing alcohol is available, or if the presence of alcohol is unknown, increased inspection frequency for leaks and abnormalities is required.

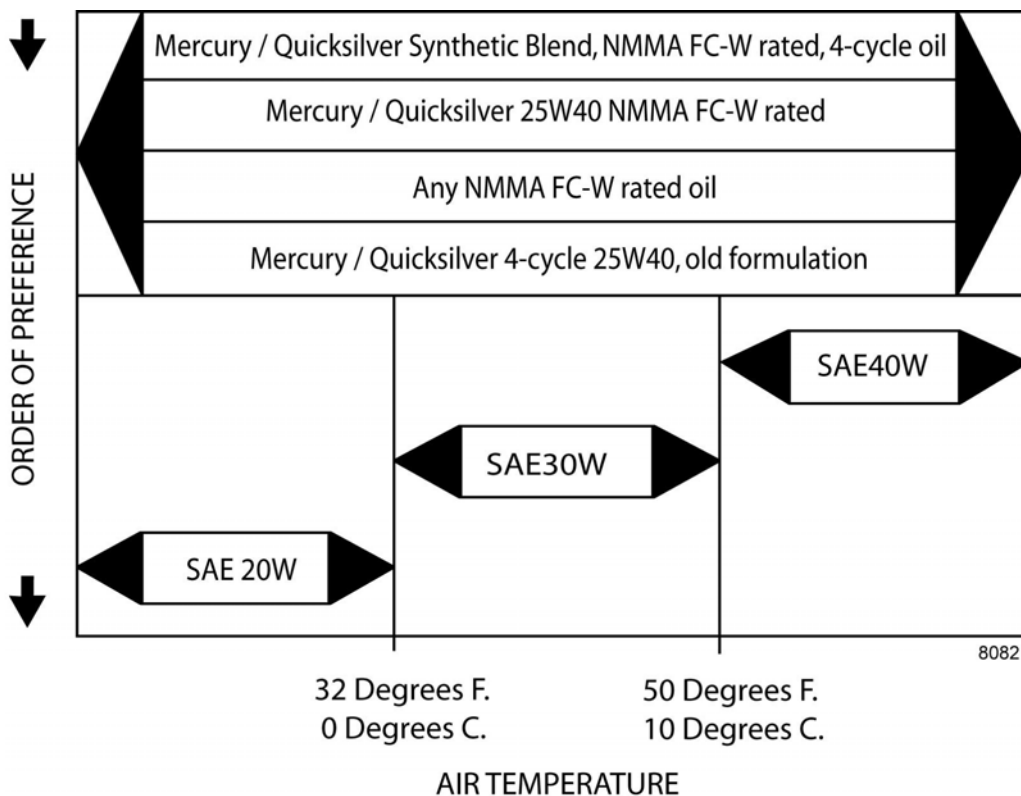
**IMPORTANT:** When operating a Mercury MerCruiser engine on gasoline containing alcohol, storage of gasoline in the fuel tank for long periods should be avoided. Long periods of storage, common to boats, create unique problems. In cars alcohol-blend fuels normally are consumed before they can absorb enough moisture to cause trouble, but boats often sit idle long enough for phase separation to take place. In addition, internal corrosion may take place during storage if alcohol has washed protective oil films from internal components.

## Engine Oil

To help obtain optimum engine performance and to provide maximum protection, we strongly recommend the use of the following oils listed in the order of recommendation:

1. MerCruiser / Quicksilver Synthetic Blend, NMMA FC-W rated, 4 cycle oil.
2. MerCruiser / Quicksilver 25W40 NMMA FC-W rated oil.
3. A NMMA FC-W rated oil.
4. MerCruiser / Quicksilver 4-cycle 25W40, non FC-W rated oil.
5. A good grade straight weight detergent automotive oil per the operating chart below.

**NOTE:** The use of non-detergent oils, multi-viscosity oils (other than as specified), non FC-W rated synthetic oils, low quality oils or oils that contain solid additives are specifically not recommended.



## Engine Specifications

Models	3.0L Carbureted
Horsepower <sup>1</sup> .	135
Kilowatts <sup>1</sup> .	101

1. Performance obtained and corrected in accordance with SAE J1228/ISO 8665 Crankshaft Power.

## Specifications

Models	3.0L Carbureted
Number of cylinders	4
Displacement	181 cid (3.0L)
Bore/Stroke	101.6 x 91.4 mm (400 x 3.60 in.)
Compression ratio	9.25:1
Compression pressure	Minimum 689 kPa (100 psi)
Idle RPM in neutral	800
Max RPM at WOT	4400-4800
Minimum oil pressure at idle	28 kPa (4 psi)
Oil pressure @ 2000 RPM	Minimum 207 kPa (30 psi)
Mechanical fuel pump pressure @ 1000 RPM	41-55 kPa (6-8 psi)
High pressure pump pressure @ 2000 RPM	N/A
Electrical system	12V negative ground
Minimum battery requirement	375 CCA / 475 MCA / 90 Ah
Firing order	1-3-4-2
Spark plug type	AC - MR43LTS
	Champion - RS12YC
	NGK - BPR6EFS
Spark plug gap	0.9 mm (0.035 in.)
Timing in base timing mode	2° ATDC
Preliminary idle mixture TKS	2 5/8 turns off of seat
Thermostat	71 °C (160 °F)

## Fluid Specifications

### Sterndrives

**NOTE:** Oil capacity includes Drive Lube Monitor

Model	Capacity	Fluid Type
Alpha One	1892 ml (64 oz)	High Performance Gear Lubricant

### Engine

**IMPORTANT:** All capacities are approximate fluid measures.

**IMPORTANT:** It may be necessary to adjust oil levels depending on installation angle and cooling systems (heat exchanger and fluid lines).

3.0L (181 CID) Model	Capacity	Fluid Type
Engine Oil (With Filter) <sup>1</sup> .	3.8 liters (4 U.S. qts)	Mercury/Quicksilver Synthetic Blend MerCruiser Engine Oil 25W-40
Seawater Cooling System <sup>2</sup> .	9 liters (8.5 U.S. qts)	Propylene Glycol and Purified Water
Closed Cooling System (Carbureted only)	9 liters (8.5 U.S. qts)	Mercury Extended Life Coolant/Antifreeze or Extended Life Ethylene Glycol 5/100 Antifreeze/Coolant mixed 50/50 with Purified Water

1. Always use the dipstick to determine the exact quantity of oil or fluid required.

2. Seawater Cooling System capacity information is for winterization use only.

# Section 5 - Maintenance

## Table of Contents

Owner/Operator Responsibilities.....	44	Power Trim Fluid.....	56
Dealer Responsibilities.....	44	Checking .....	56
Maintenance.....	44	Filling .....	56
Do It Yourself Maintenance Suggestions.....	45	Changing .....	56
Inspection.....	45	Cleaning The Flame Arrestor.....	57
Maintenance Schedule - Sterndrive Models.....	46	Positive Crankcase Ventilation Valve (PCV)	
Routine Maintenance .....	46	.....	57
Each Day Start .....	46	Changing .....	57
Each Day End .....	46	Changing Water Separating Fuel Filter.....	58
Weekly .....	46	Fuel Pump Sight Tube Inspection.....	59
Every Two Months or 50 Hours .....	46	Lubrication.....	59
Scheduled Maintenance .....	46	Steering System.....	59
After the Initial 20 Hour Break-In Period		Manual Steering System.....	61
.....	46	Throttle Cable.....	62
Every 100 Hours or Annually (Whichever		Shift Cable - Typical.....	62
Occurs First) .....	46	Sterndrive Unit and Transom Assembly.....	63
Every 200 Hours or 3 Years .....	47	Sterndrive U-joint Shaft Splines And O-rings	
Every 300 Hours or 3 Years .....	47	(Sterndrive Unit Removed).....	63
Every 5 Years .....	47	Engine Coupler.....	63
Maintenance Log.....	47	Driveshaft Extension Models.....	64
Sealed Carburetor Mixture Screw.....	48	Propellers.....	65
Engine Oil.....	48	Propeller Repair.....	65
Checking .....	48	Alpha Propeller Removal.....	65
Filling .....	48	Alpha Propeller Installation.....	65
Changing Oil and Filter .....	49	Drive Belts.....	66
Easy Engine Oil Drain System .....	49	Checking .....	66
Engine Oil Drain Pump .....	50	Replacing - Front Mount Models .....	67
Changing Filter .....	50	Power Steering Pump Drive Belt, if equipped	
Power Steering Fluid.....	51	.....	67
Checking .....	51	Alternator Belt .....	67
Filling .....	51	Replacing - Side Mount Models .....	67
Changing .....	52	Power Steering Pump Drive Belt, if equipped	
Engine Coolant.....	52	.....	67
Checking .....	52	Alternator Belt .....	68
Filling .....	53	Flushing the Power Package.....	68
Changing .....	53	Flushing Attachments .....	68
Drive Unit Oil.....	54	Sterndrive Water Pickups .....	69
Checking .....	54	Battery.....	70
Filling .....	54	Corrosion Protection.....	71
Changing .....	54	Painting Your Power Package .....	75

## Owner/Operator Responsibilities

It is the operator's responsibility to perform all safety checks, to ensure that all lubrication and maintenance instructions are complied with for safe operation and to return the unit to an authorized Mercury MerCruiser dealer for a periodic checkup.

Normal maintenance service and replacement parts are the responsibility of the owner/operator and as such, are not considered defects in workmanship or material within the terms of the warranty. Individual operating habits and usage contribute to the need for maintenance service.

Proper maintenance and care of your power package will ensure optimum performance and dependability and will keep your overall operating expenses at a minimum. See your authorized Mercury MerCruiser dealer for service aids.

## Dealer Responsibilities

In general, a dealer's responsibilities to the customer include predelivery inspection and preparation such as:

- Ensure that the boat is properly equipped.
- Prior to delivery, make certain that the Mercury MerCruiser power package and other equipment are in proper operating condition.
- Make all necessary adjustments for maximum efficiency.
- Familiarize the customer with the on-board equipment.
- Explain and demonstrate the operation of the power package and boat.
- Provide you with a copy of a Predelivery Inspection Checklist.
- Your selling dealer should fill out the Warranty Registration Card completely and mail it to the factory immediately upon sale of the new product.

## Maintenance

<b>⚠ WARNING</b>
<b>Avoid injury or death and product damage from an electrical shock, fire or explosion. Always disconnect both battery cables from the battery before servicing the power package.</b>

<b>⚠ WARNING</b>
<b>Fuel vapors can be present in the engine compartment. Avoid injury or power package damage caused by fuel vapors or explosion. Always ventilate the engine compartment prior to servicing the power package.</b>

**IMPORTANT:** Refer to the maintenance schedule for complete listing of all scheduled maintenance to be performed. Some listings can be done by owner/operator, while others should be performed by an authorized Mercury MerCruiser dealer. Before attempting maintenance or repair procedures not covered in this manual, it is recommended that a Mercury MerCruiser Service Manual be purchased and read thoroughly.

**NOTE:** Maintenance points are color coded for ease of identification. See the decal on engine for identification.

Maintenance Point Color Codes	
Blue	Coolant

Maintenance Point Color Codes	
Yellow	Engine Oil
Orange	Fuel
Black	Gear Lube Oil (Sterndrive models only)
Brown	Transmission (Inboard models only)

## Do It Yourself Maintenance Suggestions

Present day marine equipment, such as your Mercury MerCruiser power package, are highly technical pieces of machinery. Electronic ignition and special fuel delivery systems provide greater fuel economies, but also are more complex for the untrained mechanic.

If you are one of those persons who likes to do it yourself, here are some suggestions for you.

- Do not attempt any repairs unless you are aware of the Cautions, Warnings and procedures required. Your safety is our concern.
- If you attempt to service the product yourself, we suggest you order the service manual for that model. The service manual outlines the correct procedures to follow. It is written for the trained mechanic, so there may be procedures you don't understand. Do not attempt repairs if you do not understand the procedures.
- There are special tools and equipment that are required to perform some repairs. Do not attempt these repairs unless you have these special tools and/or equipment. You can cause damage to the product in excess of the cost a dealer would charge you.
- Also, if you partially disassemble an engine or drive assembly and are unable to repair it, the dealer's mechanic must reassemble the components and test to determine the problem. This will cost you more than taking it to the dealer immediately upon having a problem. It may be a very simple adjustment to correct the problem.
- Do not telephone the dealer, service office or the factory to attempt for them to diagnose a problem or to request the repair procedure. It is difficult for them to diagnose a problem over the telephone.

Your authorized dealer is there to service your power package. They have qualified factory trained mechanics.

It is recommended you have the dealer do periodic maintenance checks on your power package. Have them winterize it in the fall and service it before the boating season. This will reduce the possibility of any problems occurring during your boating season when you want trouble free boating pleasure.

## Inspection

Inspect your power package often, and at regular intervals, to help maintain its top operating performance and correct potential problems before they occur. The entire power package should be checked carefully, including all accessible engine parts.

- Check for loose, damaged or missing parts, hoses and clamps; tighten or replace as necessary.
- Check plug leads and electrical leads for damage.
- Remove and inspect the propeller. If badly nicked, bent or cracked, contact your authorized Mercury MerCruiser dealer.
- Repair nicks and corrosion damage on power package exterior finish. Contact your authorized Mercury MerCruiser dealer.

## Maintenance Schedule - Sterndrive Models

### Routine Maintenance

**NOTE:** Only perform maintenance which applies to your particular power package.

#### EACH DAY START

- Check the crankcase oil (interval can be extended based on experience).
- Check the drive unit oil level, the trim pump oil level, and the power steering pump or compact hydraulic steering fluid level.

#### EACH DAY END

- If operating in salt, brackish or polluted waters, flush the cooling system after each use.

#### WEEKLY

- Check the water inlets for debris or marine growth. Check the seawater strainer and clean. Check the coolant level.
- Inspect the drive unit anodes and replace if 50 percent eroded.

#### EVERY TWO MONTHS OR 50 HOURS

- Lubricate the propeller shaft and retorque the nut (if operating in only freshwater, this maintenance may be extended to every four months).
- Operating in saltwater or brackish or polluted water only: treat the power package with Corrosion Guard.
- Check the battery connections and the fluid level.
- Ensure that the gauges and the wiring connections are secure. Clean the gauges.<sup>1</sup>

### Scheduled Maintenance

**NOTE:** Only perform maintenance which applies to your particular power package.

#### AFTER THE INITIAL 20 HOUR BREAK-IN PERIOD

To help extend the life of your Mercury MerCruiser power package, we recommend the following:

- Change the engine oil and filter
- Change the sterndrive lube.

#### EVERY 100 HOURS OR ANNUALLY (WHICHEVER OCCURS FIRST)

- Touch-up the paint on the power package.
- Change the crankcase oil and filter.
- Change the drive unit oil
- Retorque the connection of the gimbal ring to the steering shaft.
- Replace the water separating fuel filter element.
- Check the steering system and the remote control for loose, missing or damaged parts. Lubricate the cables and the linkages.
- Check the continuity circuit for loose or damaged connections. Test the MerCathode unit output on Bravo Models.

**NOTE:** On V6 models the PCV valve is non serviceable and is an internal component of the valve cover assembly.

- Clean the flame arrestor, IAC muffler (MPI engines), and the crankcase ventilation hoses. Inspect the PCV valve, if equipped.
- Inspect the condition and the tension of the belts.

1. If operating in saltwater, interval is reduced to every 25 hours or 30 days whichever occurs first.



Date	Maintenance Performed	Engine Hours

## Sealed Carburetor Mixture Screw

### ⚠ CAUTION

Do not remove mixture screw seals and/or attempt to adjust fuel mixture setting. Tampering with the mixture setting on this engine could affect the exhaust emissions level, thus voiding the emissions certification. These seals should only be removed by an authorized dealer or emissions testing agency.

## Engine Oil

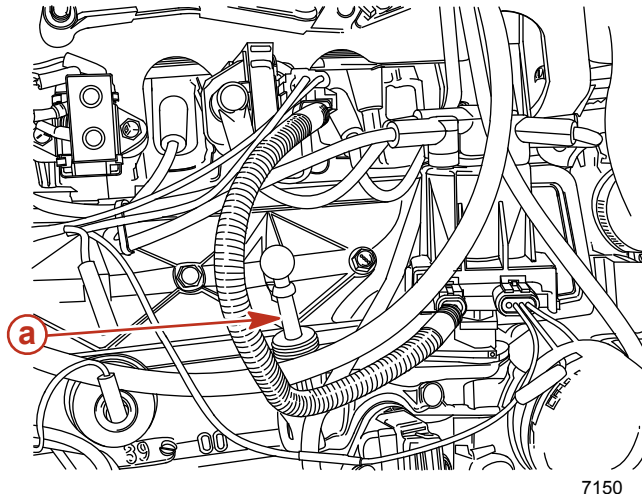
### ⚠ CAUTION

**ENVIRONMENTAL HAZARD!** Discharge of oil or oil waste into the environment is restricted by law. Do not spill oil or oil waste into the environment when using or servicing your boat. Contain and dispose of oil or oil waste as directed by local authorities.

## Checking

1. Stop the engine. Allow approximately 5 minutes for the oil to drain into the oil pan. The boat must be at rest in the water.
2. Remove the dipstick. Wipe clean and reinstall fully into the dipstick tube. Wait 60 seconds to allow trapped air to vent.

**NOTE:** Ensure that dipstick is installed with oil level indication marks facing the rear of the engine (flywheel end).



**a** - Dipstick tube

**IMPORTANT:** Add the specified engine oil to bring the level up to, but not over, the full or OK range mark on the dipstick.

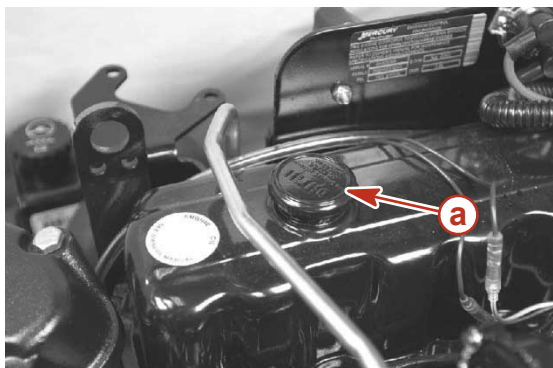
3. Remove the dipstick and observe the oil level. Oil level must be between full or OK range and add. Reinstall dipstick into dipstick tube.

## Filling

**IMPORTANT:** Do not overfill the engine with oil.

**IMPORTANT:** Always use the dipstick to determine the exact quantity of oil or fluid required.

1. Remove oil fill cap.



7519

**a** - Oil fill cap

**IMPORTANT:** Add the specified engine oil to bring the level up to, but not over, the full or OK range mark on the dipstick.

2. Add the specified engine oil to bring the level up to, but not over, the full or OK range mark on the dipstick. Recheck oil level.
3. Replace the fill cap.

Engine Model	Capacity	Fluid Type
3.0L (181 cid)	3.8 liters (4 U.S. Quart)	Mercury/Quicksilver Synthetic Blend MerCruiser Engine Oil 25W-40

### Changing Oil and Filter

Refer to the Maintenance schedule for the change interval. Engine oil should be changed before placing the boat in storage.

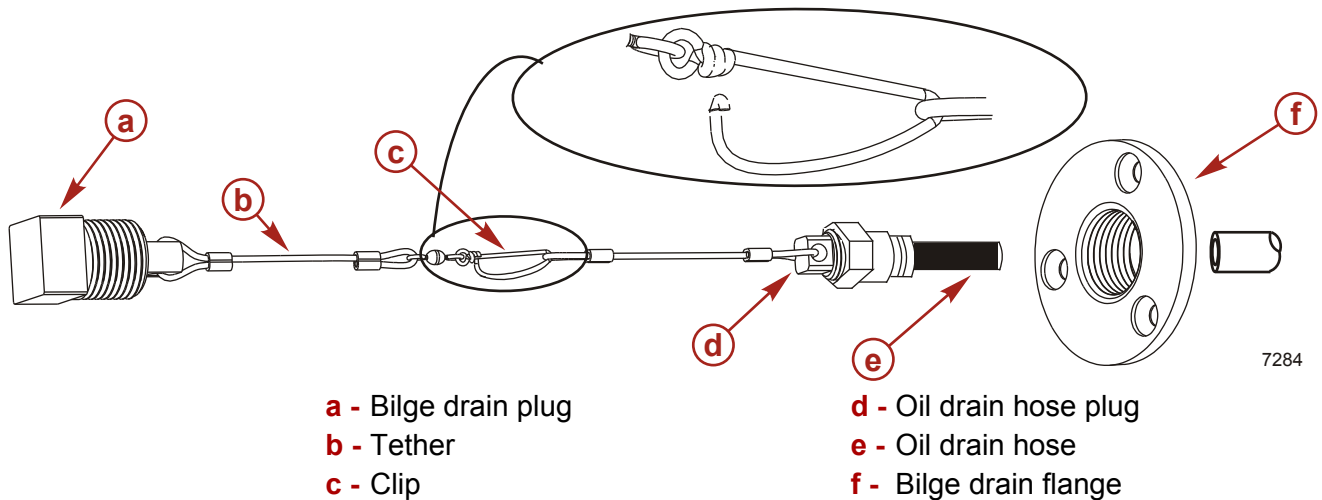
**IMPORTANT:** Change engine oil when the engine is warm from operation. Warm oil flows more freely, carrying away more impurities. Use only recommended engine oil (refer to Specifications).

### EASY ENGINE OIL DRAIN SYSTEM

**NOTE:** Boat must be out of water to perform this procedure.

1. Loosen the oil filter to vent the system.
2. Remove the bilge drain plug.

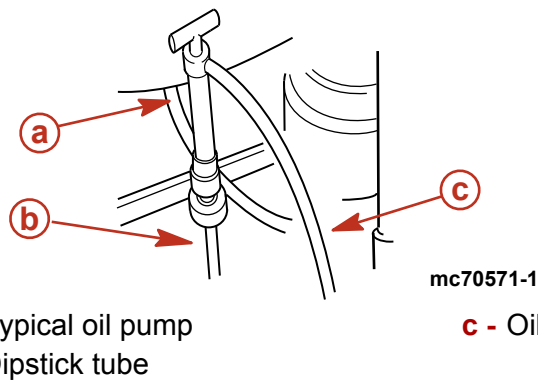
3. Pull tether through the bilge drain.



4. Place the oil drain hose in a suitable container.
5. Remove the drain plug from the oil drain hose.
6. After oil has drained completely, install the drain plug in the oil drain hose.
7. Push the hose through bilge drain and install the plug.

#### ENGINE OIL DRAIN PUMP

1. Loosen the oil filter to vent the system.
2. Remove the dipstick.
3. Install the oil pump onto the dipstick tube.



4. Insert the hose end of the crankcase oil pump onto an appropriate container and, using the handle, pump until the crankcase is empty.
5. Remove the pump.
6. Install the dipstick.

#### CHANGING FILTER

1. Remove and discard oil filter.
2. Coat sealing ring on new filter with engine oil and install.
3. Tighten oil filter securely (following filter manufacturer's instructions). Do not overtighten.
4. Remove oil fill cap.

**IMPORTANT: Always use dipstick to determine exactly how much oil is required.**

5. Add recommended engine oil to bring level up to the bottom of the OK range on the dipstick.
6. With the boat at rest in the water, check the oil level and add specified fluid to bring the oil level up to, but not over, the full or OK range.

**NOTE:** Adding 0.95 liters (1 quart) of engine oil will raise the level from the add mark to the top of the OK range.

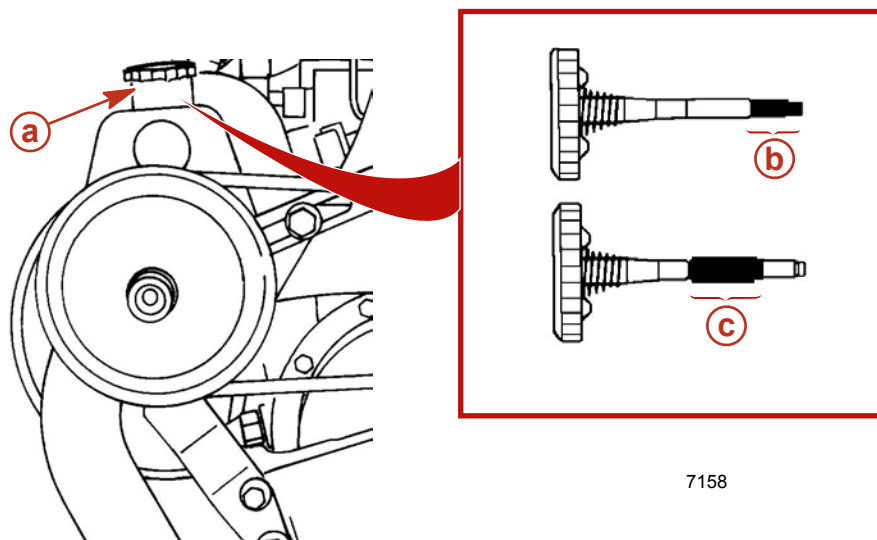
Engine Model	Capacity	Fluid Type
3.0L (181)	3.8 liters ( 4 U.S. Quart)	Mercury/Quicksilver Synthetic Blend MerCruiser Engine Oil 25W-40

7. Start the engine, run the engine for three minutes, and check for leaks. Stop the engine. Allow approximately 5 minutes for the oil to drain into the oil pan. The boat must be at rest in the water.

## Power Steering Fluid

### Checking

1. Stop the engine and center the sterndrive unit.
2. Remove the fill cap/dipstick and observe the level.
  - a. Proper fluid level with engine at normal operating temperature should be within the warm range.
  - b. Proper fluid level with engine cold should be within the cold range.



**a** - Power steering pump fill cap/  
dipstick  
**b** - Cold range


**c** - Warm range

3. Fill to full line with specified fluid.

**IMPORTANT:** If fluid is not visible in pump, contact your authorized Mercury MerCruiser dealer.

### Filling

1. Remove the fill cap/dipstick and observe the level.
2. Add Quicksilver Power Trim and Steering Fluid or Dexron III Automatic Transmission Fluid (ATF) to bring the fluid level up to the proper level.

Tube Ref No.	Description	Where Used	Part No.
 114	Power Trim and Steering Fluid	Power steering system	92-802880A1

- Reinstall the fill cap/dipstick.

## Changing

Power steering fluid does not require changing unless it becomes contaminated with water or debris. Contact your authorized Mercury MerCruiser dealer.

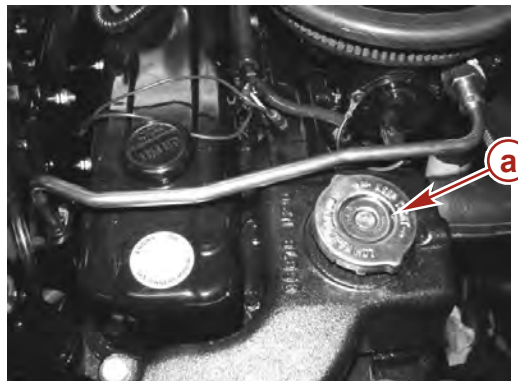
## Engine Coolant

### Checking

#### ⚠ WARNING

**Allow the engine to cool down before removing the coolant pressure cap. A sudden loss of pressure could cause hot coolant to boil and discharge violently. After the engine has cooled, turn the cap 1/4 turn to allow any pressure to escape slowly, then push down and turn the cap all the way off.**

- Remove the cap from the thermostat housing and observe the fluid level.

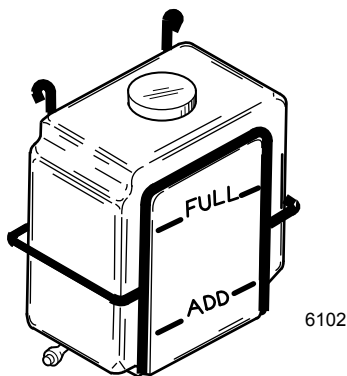


17291


**a** - Thermostat housing cap

- The coolant level in the thermostat housing should be at the bottom of the filler neck. If the coolant level is low, contact your authorized Mercury MerCruiser dealer.
  - Install the cap onto the thermostat housing.
- IMPORTANT: When reinstalling the pressure cap, be sure to tighten it until it seats on the filler neck.**
- With the engine at normal operating temperature, check the coolant level in the coolant recovery bottle.

5. The coolant level should be between the "ADD" and "FULL" marks.



6. Add the specified fluid as necessary.

Tube Ref No.	Description	Where Used	Part No.
 122	Extended Life Antifreeze/ Coolant	Closed Cooling System	92-877770K1

## Filling

### ⚠ CAUTION

Alcohol or Methanol based antifreeze or plain water, are not recommended for use in the coolant section of the Closed Cooling System at any time.

### ⚠ CAUTION


Overheating from insufficient cooling water will cause engine and drive system damage. Ensure that there is sufficient water always available at water inlet holes during operation.

### ⚠ CAUTION

Air trapped in the closed cooling section of an engine cooling system can cause the engine to overheat resulting in engine damage. To minimize the possibility of trapping air when initially filling the closed cooling system, position the boat so that the front of the engine is higher than the rear of the engine.

**NOTE:** Add coolant only when engine is at normal operating temperature.

1. Remove the fill cap from the coolant recovery bottle.
2. Fill to the "FULL" line with the specified coolant.

Tube Ref No.	Description	Where Used	Part No.
 122	Extended Life Antifreeze/ Coolant	Closed Cooling System	92-877770K1

3. Install the fill cap onto the coolant recovery bottle.

## Changing

Contact your authorized Mercury MerCruiser dealer.

# Drive Unit Oil

**⚠ CAUTION**

**ENVIRONMENTAL HAZARD!** Discharge of oil or oil waste into the environment is restricted by law. Do not spill oil or oil waste into the environment when using or servicing your boat. Contain and dispose of oil or oil waste as directed by local authorities.

## Checking

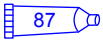
**NOTE:** Oil level will fluctuate during operation. Oil level should be checked with the engine cold, before starting.

1. Check the gear lube oil level. Keep the oil level within the recommended operating range. If any water is visible at the bottom of the monitor or appears at the oil fill/drain plug and/or if oil appears discolored, contact your authorized Mercury MerCruiser dealer immediately. Both conditions may indicate a water leak somewhere in the sterndrive unit.

## Filling

**IMPORTANT:** If more than 59 ml (2 fl. oz.) of High Performance Gear Lubricant is required to fill the monitor, a seal may be leaking. Damage to the sterndrive unit may occur due to lack of lubrication. Contact your authorized Mercury MerCruiser dealer.

1. Remove the gear lube monitor cap.
2. Fill the monitor with the specified fluid so that the oil level is in the operating range. Do not overfill.

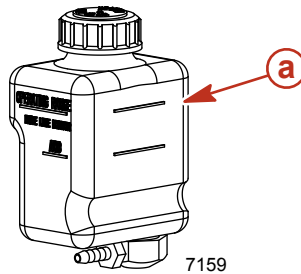
Tube Ref No.	Description	Where Used	Part No.
 87	High Performance Gear Lubricant	Gear lube monitor	92-802854A1

3. Replace the cap.

**NOTE:** When filling the entire sterndrive unit refer to Changing instructions, following.

## Changing

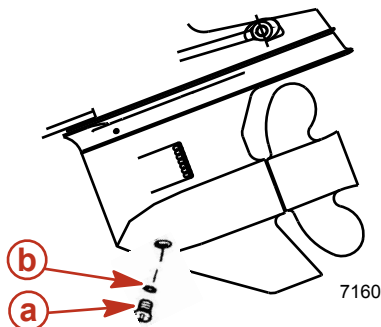
1. Remove the gear lube monitor from the bracket.



**a** - Gear lube monitor

2. Empty the contents into a suitable container.
3. Install the gear lube monitor in the bracket.

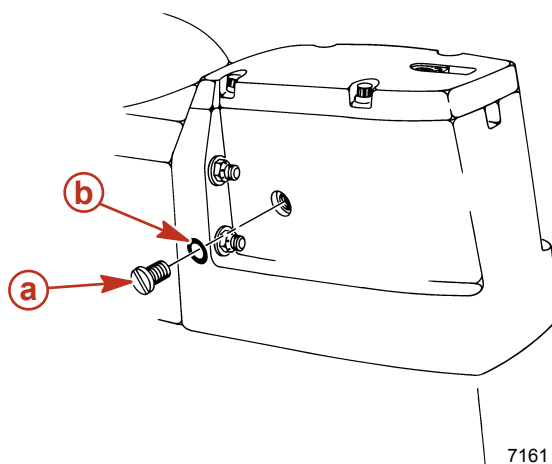
- Place the sterndrive unit in full trim limit out position, remove the oil fill/drain screw and sealing washer and drain the oil.



a - Oil fill/drain screw

b - Sealing washer

- Remove the oil vent screw and sealing washer. Allow the oil to drain completely.




a - Oil vent screw

b - Sealing washer

**IMPORTANT:** If any water drained from the oil fill/drain hole, or if the oil appears milky, the sterndrive unit is leaking and should be checked immediately by your authorized Mercury MerCruiser dealer.

- Lower the sterndrive unit so that the propeller shaft is level. Fill the sterndrive unit, through the oil fill/drain hole, with specified gear lubricant until an air-free stream of lubricant flows from oil vent hole.

Tube Ref No.	Description	Where Used	Part No.
 87	High Performance Gear Lubricant	Sterndrive unit	92-802854A1

**IMPORTANT:** Use only Mercury/Quicksilver High Performance Gear Lubricant in sterndrive unit.

- Install the oil vent screw and sealing washer.
- Continue to pump gear lubricant into the drive through the oil fill/drain hose until the gear lubricant appears in the gear lube monitor.
- Fill the monitor so that the oil level is in the operating range. Do not overfill. Ensure that the rubber gasket is inside the cap and install. Do not overtighten.

**NOTE:** Oil capacity includes gear lube monitor.

Model	Capacity	Fluid Type
Alpha One	1892 ml (64 oz)	High Performance Gear Lubricant

- Remove the pump from the oil fill/drain hole. Quickly install the sealing washer and oil fill/drain screw. Tighten securely.
- Recheck the oil level after the first use.

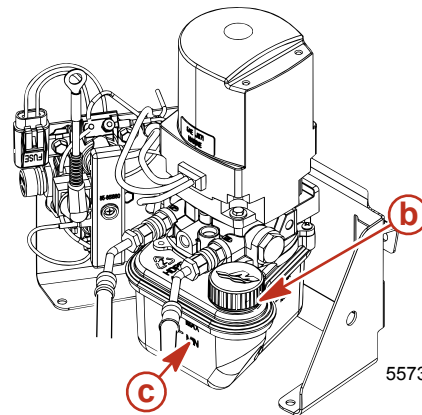
**IMPORTANT: Oil level in the gear lube monitor will rise and fall during sterndrive operation; always check the oil level when the sterndrive is cool and the engine is shut down.**

## Power Trim Fluid

### Checking

**IMPORTANT: Check the oil level with the sterndrive unit in the full down/in position only.**

- Place the sterndrive unit in full down/in position.
- Remove the fill cap from the reservoir.



**a** - Fill cap

**b** - Reservoir fill neck

**c** - "MIN" and "MAX" lines

- Observe the oil level. Level must be between the "MIN" and "MAX" lines on the reservoir.

**NOTE:** Fill cap is vented.

- Fill as necessary with the specified fluid.

Tube Ref No.	Description	Where Used	Part No.
114	Power Trim and Steering Fluid	Power trim pump	92-802880A1

### Filling

- Remove the fill cap from the reservoir.
- Add lubricant to bring level to the bottom of the filler neck.

Tube Ref No.	Description	Where Used	Part No.
114	Power Trim and Steering Fluid	Power trim pump	92-802880A1

- Install the cap.

### Changing

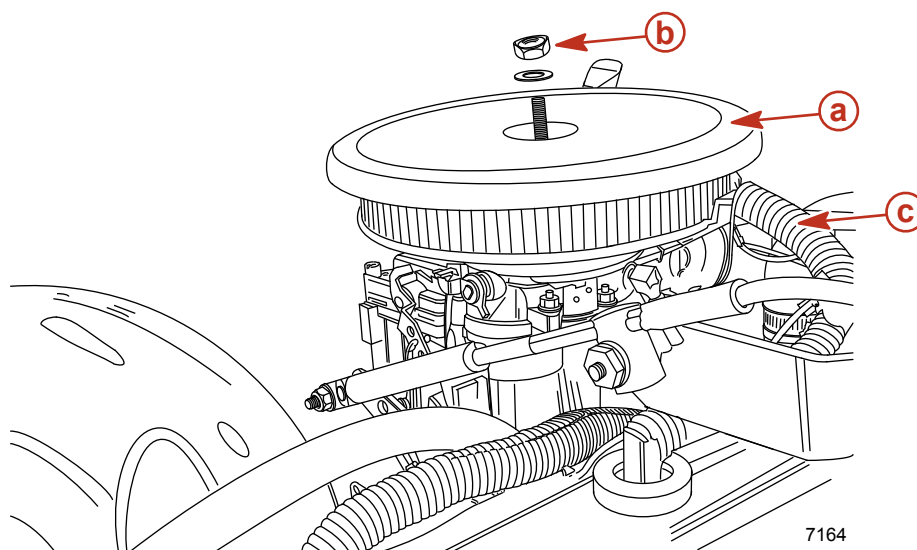
Power trim fluid does not require changing unless it becomes contaminated with water or debris. Contact your authorized Mercury MerCruiser dealer.

## Cleaning The Flame Arrestor

### ⚠ WARNING

Avoid gasoline fire or explosion. Gasoline is extremely flammable and highly explosive under certain conditions. Be careful when cleaning flame arrestor; ensure that ignition is off. Do not smoke or allow sources of spark or open flame in area when cleaning flame arrestor.

1. Disconnect and remove the crankcase ventilation hose from the fitting on the flame arrestor and valve cover.
2. Remove the flame arrestor.



**a** - Flame arrestor

**c** - Crankcase ventilation hose

**b** - Flame arrestor nut and washer

3. Clean the flame arrestor with warm water and a mild detergent.
4. Inspect the flame arrestor for holes, cracks or deterioration. Replace if necessary.
5. Allow the flame arrestor to air dry completely before use.
6. Clean the crankcase ventilation hose with warm water and a mild detergent. Dry with compressed air or allow to air dry completely.
7. Inspect the crankcase ventilation hose for cracks or deterioration. Replace if necessary.
8. Install the flame arrestor, sealing washer, and locknut. Torque the flame arrestor locknut.

Description	Nm	lb. in.	lb. ft.
Flame arrestor nut	12	106	

9. Connect the crankcase ventilation hose to the fitting on the flame arrestor and valve cover.

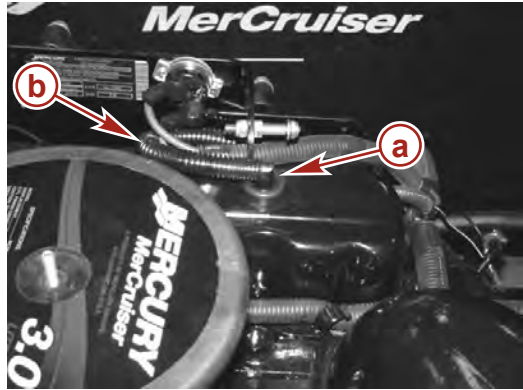
## Positive Crankcase Ventilation Valve (PCV)

### CHANGING

**IMPORTANT:** Use only Mercury MerCruiser replacement parts to ensure compliance with emission regulations.

**NOTE:** On V6 models the PCV valve is non-serviceable and is an internal component of the valve cover.

1. Remove the PCV valve.
2. Disconnect the PCV valve from the hose and discard the valve.



**a** - PCV valve

**b** - Hose

3. Install a new PCV valve in the valve cover and reconnect the hose.
4. Ensure the PCV valve is tightly seated in the valve cover.

## Changing Water Separating Fuel Filter


### ⚠ WARNING

**Avoid serious injury or death from a gasoline fire or explosion; gasoline is extremely flammable and highly explosive under certain conditions. When servicing the fuel system components ensure that the engine is cool, the ignition switch is in the off position, and that the lanyard stop switch, if equipped, is in the off position. Do not smoke or allow spark or open flame in the area. Wipe up any spilled fuel immediately. Ensure that no fuel leaks exist before closing the engine hatch.**

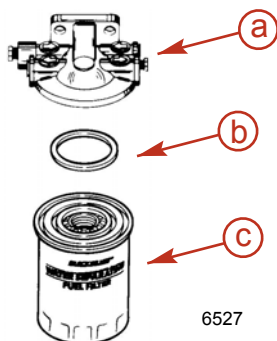
1. Allow the engine to cool down.

**NOTE:** Mercury MerCruiser recommends that the engine be shut off for 12 hours prior to filter removal.

2. Close fuel supply valve, if equipped.
3. Wrap the water separating fuel filter with a cloth to help catch any fuel spills or spray.
4. Remove and discard the water separating fuel filter and sealing ring from the mounting bracket.
5. Coat the sealing ring on the new filter with engine oil.

Tube Ref. No.	Description	Where Used	Part No.
	Synthetic Blend MerCruiser Engine Oil SAE25W-40	Filter sealing ring	92-883725K01

- Thread filter onto bracket and tighten securely by hand. Do NOT use a filter wrench.



**a** - Fuel filter base  
**b** - Sealing ring

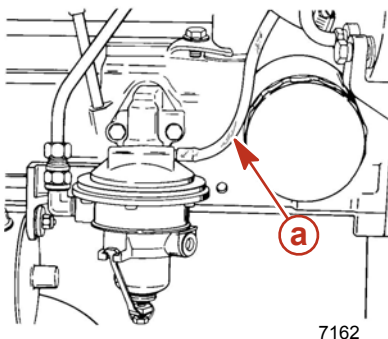
**c** - Fuel filter

- Open fuel supply valve, if equipped.
- Ensure that engine compartment is properly ventilated.
- Supply cooling water to the engine.
- Start the engine. Check for gasoline leaks around the fuel filter assembly. If leaks exist, stop the engine immediately. Recheck the filter installation, clean spilled fuel and properly ventilate the engine compartment. If leaks continue, stop engine immediately and contact your authorized Mercury MerCruiser dealer.

## Fuel Pump Sight Tube Inspection

- The engine fuel pump is equipped with a sight tube which gives visible evidence of a ruptured fuel pump diaphragm.

**IMPORTANT:** If fuel is visible in tube, the fuel pump should be replaced by your Authorized Mercury MerCruiser Dealer immediately.



**a** - Sight tube

## Lubrication

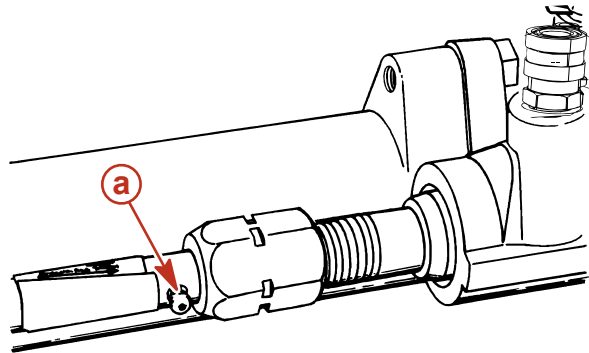
### Steering System

#### ⚠ CAUTION


Do not grease the steering cable while its extended. Hydraulic lock could occur and cause loss of steering control.

**NOTE:** If steering cable does not have grease fitting, inner wire of cable cannot be greased.

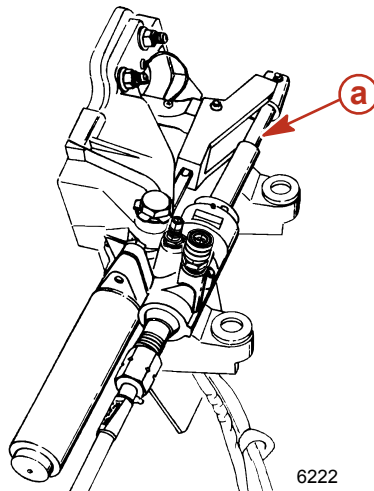
1. **If Steering Cable Has Grease Fittings:** Turn steering wheel until steering cable is fully retracted into cable housing. Apply approximately 3 pumps of grease from a typical hand-operated grease gun.




**a** - Steering cable grease fitting

Tube Ref No.	Description	Where Used	Part No.
 34	Special Lubricant 101	Steering cable grease fitting	92-802865A1

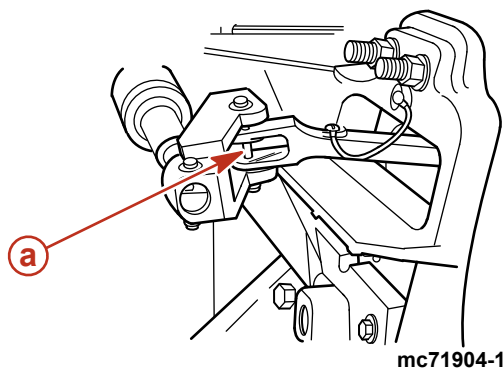
2. Turn steering wheel until steering cable fully extended. Lightly lubricate the exposed part of cable.




**a** - Extended steering cable

Tube Ref No.	Description	Where Used	Part No.
 34	Special Lubricant 101	Steering cable	92-802865A1


3. Lubricate the steering pin.



**a** - Steering pin

Tube Ref. No.	Description	Where Used	Part No.
	Synthetic Blend MerCruiser Engine Oil SAE25W-40	Steering pin	92-883725K01

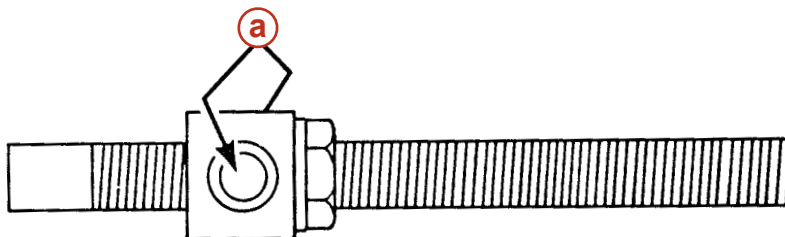
4. On dual engine boats: Lubricate the tie bar pivot points.

Tube Ref. No.	Description	Where Used	Part No.
	Synthetic Blend MerCruiser Engine Oil SAE25W-40	Tie bar pivot points	92-883725K01

5. Upon first starting engine, turn steering wheel several times to starboard and then port to ensure that the steering system operates properly before getting underway.


### Manual Steering System

1. Inspect the bushings for debris and lubricate the bushings.



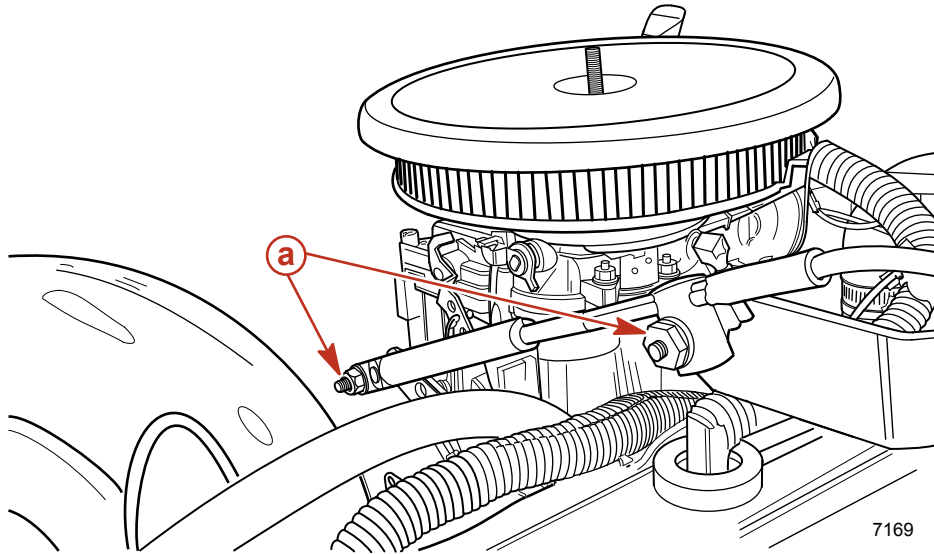
7167

**a** - Bushings

Tube Ref No.	Description	Where Used	Part No.
	Special Lubricant 101	Steering cable end bushings	92-802865A1


## Throttle Cable

1. Lubricate the pivot points and the guide contact surfaces.



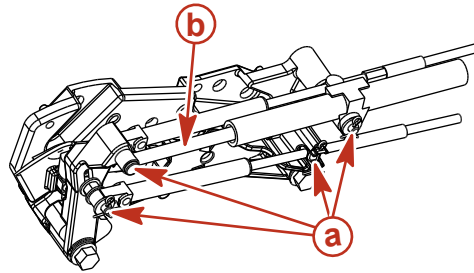
7169

**a** - Pivot points

Tube Ref. No.	Description	Where Used	Part No.
	Synthetic Blend MerCruiser Engine Oil SAE25W-40	Throttle cable pivot points & guide contact surfaces	92-883725K01

## Shift Cable - Typical

1. Lubricate the pivot points and the guide contact surfaces.



mc79736

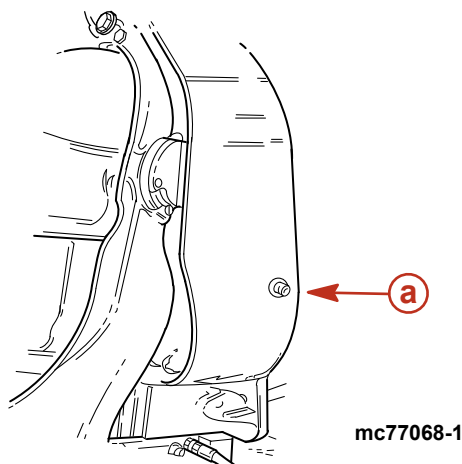
**a** - Pivot points

**b** - Guide contact surfaces


Tube Ref. No.	Description	Where Used	Part No.
	Synthetic Blend MerCruiser Engine Oil SAE25W-40	Shift cable pivot points & guide contact surfaces	92-883725K01

## Sterndrive Unit and Transom Assembly

1. Lubricate gimbal bearing by applying approximately 8-10 pumps of grease from a typical hand-operated grease gun.



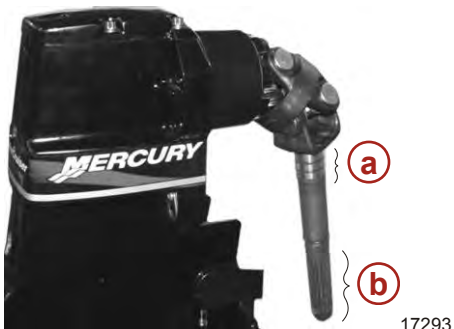
**a** - Gimbal bearing grease fitting

Tube Ref No.	Description	Where Used	Part No.
 42	U-joint and Gimbal Bearing Grease	Gimbal bearing	92-802870A1

2. For propeller shaft lubrication, refer to **Propellers**.

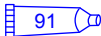
## Sterndrive U-joint Shaft Splines And O-rings (Sterndrive Unit Removed)

1. Coat sterndrive U-joint O-rings and driveshaft splines with grease.



**a** - U-joint O-rings (3)

**b** - Driveshaft splines

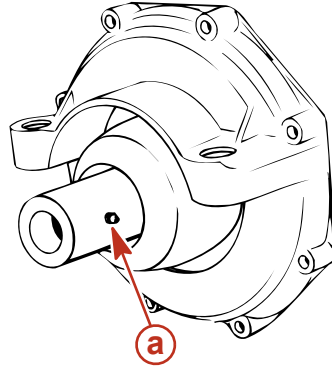
Tube Ref No.	Description	Where Used	Part No.
 91	Engine Coupler Spline Grease	Driveshaft splines and U-joint O-rings	92-802869A1

2. For propeller shaft lubrication, refer to **Propellers**.

## Engine Coupler

1. Lubricate engine coupler splines through grease fittings on coupler by applying approximately 8-10 pumps of grease from a typical hand-operated grease gun.

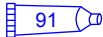
**NOTE:** If the boat is operated at idle for prolonged periods of time, coupler should be lubricated in the **Alpha Models** - every 150 hours.



6213

**Alpha drive coupler**

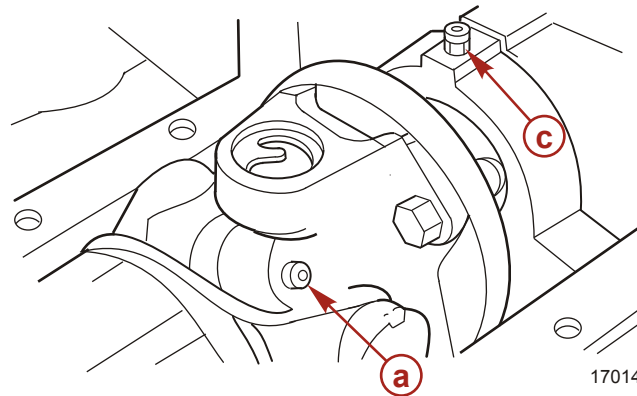
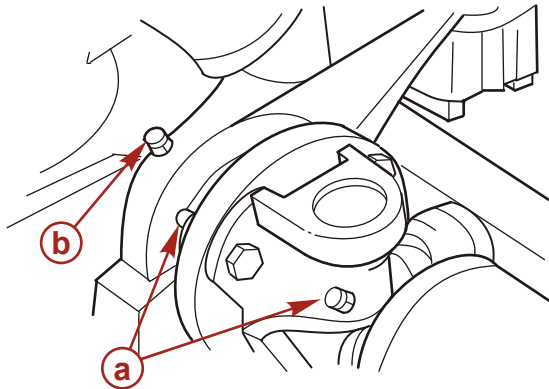
**a** - Engine coupler grease fitting

Tube Ref No.	Description	Where Used	Part No.
 91	Engine Coupler Spline Grease	Coupler	92-802869A1

**NOTE: Alpha Models** - Your power package is equipped with a sealed engine coupler and Perm-a-Lube U-joints. The sealed coupler and shaft splines can be lubricated without removing the sterndrive unit. The Perm-a-Lube U-joints do not require lubrication.

**Driveshaft Extension Models**

1. Lubricate the transom end grease fitting and engine end grease fitting by applying approximately 10 - 12 pumps of grease from a typical hand-operated grease gun.
2. Lubricate the driveshaft grease fittings by applying approximately 3 - 4 pumps of grease from a typical hand-operated grease gun.




17014

**a** - Driveshaft grease fittings

**b** - Transom end grease fitting

**c** - Engine end grease fitting

Tube Ref No.	Description	Where Used	Part No.
 42	U-joint and Gimbal Bearing Grease	Transom end grease fitting, engine end grease fitting, driveshaft grease fittings	92-802870A1

# Propellers

## Propeller Repair

Some damaged propellers can be repaired. Contact your authorized Mercury MerCruiser dealer.

## Alpha Propeller Removal

### ⚠ WARNING

**Avoid Injury: Remote Control must be in neutral and ignition key removed from switch before removing and/or installing propeller.**

### ⚠ WARNING

**Avoid Injury: Place a block of wood between anti-ventilation plate and propeller to protect hands from propeller blades and to prevent propeller from rotating when removing propeller nut.**

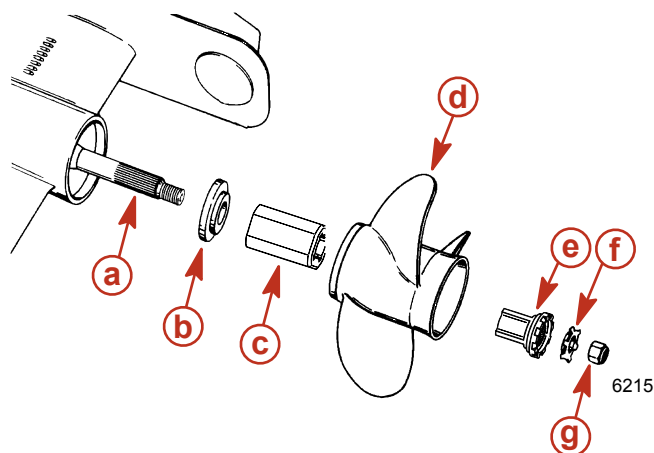
1. Place wood block between propeller blade and anti-ventilation plate to prevent rotation. Straighten bent tabs on tab washer.
2. Turn propeller shaft nut counterclockwise to remove nut.
3. Slide tab washer, drive sleeve, propeller and thrust hub off propeller shaft.

## Alpha Propeller Installation

### ⚠ CAUTION

**Avoid injury and propeller damage or sterndrive damage, or both, caused by a loose propeller or propellers. The propeller may become loose during normal operation. Periodically throughout the boating season and at the maintenance intervals specified, the propeller nut or nuts must be checked for tightness. Torque the propeller nut or nuts to specification.**




**IMPORTANT: If reusing tab washer, carefully inspect tabs for cracks or other damage. Replace tab washer if condition is questionable.**



**a** - Propeller shaft  
**b** - Thrust hub  
**c** - Flo-Torq II drive hub  
**d** - Propeller

**e** - Drive sleeve  
**f** - Locking tab washer  
**g** - Propeller nut

1. Apply a liberal coat of one of the following lubricants to the propeller shaft.

Tube Ref No.	Description	Where Used	Part No.
 34	Special Lubricant 101	Propeller shaft	92-802865A1
 94	Anti-Corrosion Grease	Propeller shaft	92-802867A1
 95	2-4-C Marine Lubricant with Teflon	Propeller shaft	92-802859A1

2. Slide thrust hub onto propeller shaft, with stepped side toward propeller hub.
3. Install Flo-Torq II Drive Hub into propeller.

**NOTE:** The drive sleeve is tapered and will slide fully into the propeller as the nut is tightened and properly torqued.

4. Align splines and place propeller on propeller shaft.
5. Install drive sleeve and locking tab washer.
6. Install and torque the propeller nut.

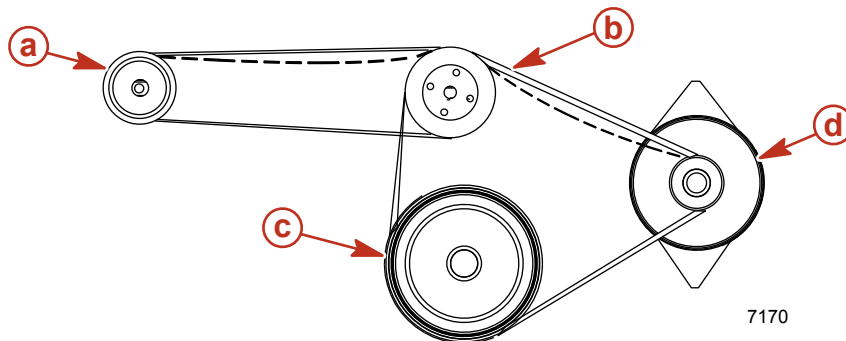
Description	Nm	lb. in.	lb. ft.
Propeller nut <sup>1</sup> .	75		55

7. Bend three tabs on the tab washer down into the grooves in spline washer. After the first use, bend the three tabs straight and retorque the propeller nut. Bend tabs back down into spline washer. Check propeller at least after 20 hours of operation. Do not operate with loose propeller.

## Drive Belts

**⚠ WARNING**

**Avoid possible serious injury. Make sure engine is shut off and ignition key is removed before inspecting belt.**



- a** - Power steering pump pulley
- b** - Water circulating pump pulley
- c** - Crankshaft pulley
- d** - Alternator pulley

## Checking

1. Inspect the drive belt for proper tension and for the following:
  - Excessive wear
  - Cracks

**NOTE:** Minor, transverse cracks (across the belt width) may be acceptable. Longitudinal cracks (in the direction of belt length) that join transverse cracks are NOT acceptable.

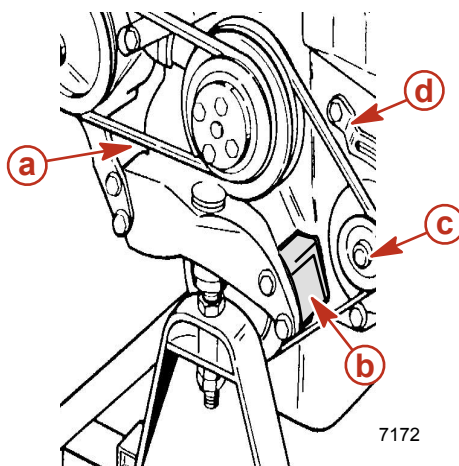
1. The propeller torque stated is a minimum torque value.

- Fraying
- Glazed surfaces
- Proper tension - 6 mm (1/4 in.) deflection, with moderate thumb pressure, on the belt at the location that has the longest distance between two pulleys.

## Replacing - Front Mount Models

### POWER STEERING PUMP DRIVE BELT, IF EQUIPPED

1. Loosen power steering pump attaching bolts and mounting bolts.
2. Pivot power steering pump toward engine, as required, until belt can be removed.
3. Install new drive belt on pulleys. Adjust tension.



- a - Power steering belt
- b - Spacer block
- c - Alternator
- d - Alternator belt

Description	
Deflection	6 mm ( 1/4 inches)

### ALTERNATOR BELT

1. Remove the power steering belt, if equipped.
2. Remove the two port side, front engine mount bracket assembly screws and washers.
3. Remove the spacer block between the bracket assembly and the engine block. It may be necessary to tape gently on the spacer to allow removal.
4. Loosen the alternator. Remove and replace the alternator belt.
5. Replace the spacer block between the bracket assembly and the engine block. Install the two screws using the flat and lockwashers removed previously. Torque the two spacer block screws.

Description	Nm	lb. in.	lb. ft.
Spacer block screws	28		21

6. Install power steering belt, if equipped. Adjust tension of both drive belts.

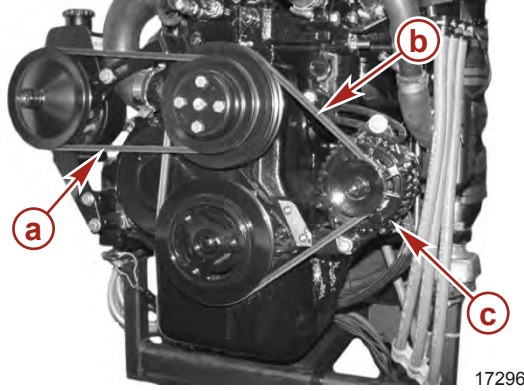
Description	
Deflection	6 mm ( 1/4 inches)

## Replacing - Side Mount Models

### POWER STEERING PUMP DRIVE BELT, IF EQUIPPED

1. Loosen power steering pump attaching bolts and mounting bolts.

2. Pivot power steering pump toward engine, as required, until belt can be removed.
3. Install new drive belt on pulleys. Adjust the tension to the specification following.



**a** - Power steering belt  
**b** - Alternator belt

**c** - Alternator

Description	
Deflection	6 mm ( 1/4 inches)

**ALTERNATOR BELT**

1. Remove power steering pump drive belt, if equipped.
2. Loosen the alternator. Remove and replace the alternator belt.
3. Install power steering belt, if equipped. Move the power steering brace to its original position and adjust tension of both drive belts.

Description	
Deflection	6 mm ( 1/4 inches)

**Flushing the Power Package**

Your boat comes equipped with through the sterndrive water pickups. See **Sterndrive Water Pickups** (following) for the flushing procedure. Consult your authorized Mercury MerCruiser dealer for further explanation.

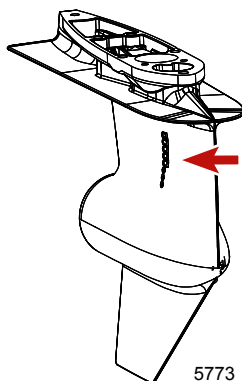
**IMPORTANT: Alpha engines with the sterndrive water inlet blocked off at the gimbal housing, and using a through the hull water inlet, need a supply of cooling water available to both the sterndrive and to the engine during operation**

**Flushing Attachments**

Flushing Device	91-44357Q 2
	Attaches to the water intakes; provides a fresh water connection when flushing the cooling system or operating the engine.

## Sterndrive Water Pickups

This Mercury MerCruiser sterndrive is equipped with side water pickups. Side pickups require the flushing attachment (44357Q 2).



Side Pickup

**NOTE:** Flushing is needed only for salty, brackish, mineral-laden, or polluted water applications. Flushing is recommended after each outing for best results.

### ⚠ CAUTION

**If flushing with the boat in the water, seawater can flow into the engine causing engine damage. Water inlet must be closed when flushing the engine.**

1. On seawater cooled models: Proceed to Step 5. or Step 6.

**NOTE:** Closed cooled models are equipped with a heat exchanger on the side of the engine.

2. If flushing the cooling system with the boat in the water:
  - a. Raise the sterndrive to trailer position.
  - b. Install the appropriate flushing attachment over the water inlet holes in the gear housing.
  - c. Lower sterndrive to full down/in position.
3. If flushing the cooling system with the boat out of the water:
  - a. Lower sterndrive to full down/in position.

### ⚠ WARNING

**Contact with moving drive components and the propeller can cause personal injury or death. To avoid possible injury, remove the propeller and ensure that no people or animals are in the area of the drive unit while flushing.**

- b. Remove propeller.
  - c. Install the appropriate flushing attachment over the water inlet holes in the gear housing.
4. Connect hose between flushing attachment and water source.
5. With sterndrive in normal operating position, open the water source completely.
6. Place the remote control in the neutral idle speed position and start engine.

**⚠ CAUTION**

**Avoid engine damage from overheating. If the engine is operated above 1500 RPM during flushing, suction created by the seawater pickup pump may collapse the flushing water hose causing the engine to overheat.**

7. Depress the throttle only button and slowly advance the throttle until the engine reaches 1300 RPM ( $\pm$  100 RPM).

**⚠ CAUTION**

**Engine overheating can cause engine damage. To avoid, observe the water temperature gauge and ensure that the engine is operating in the normal range.**

8. Observe the water temperature gauge to ensure that the engine is operating in the normal range.
9. Operate engine with sterndrive in neutral for about 10 minutes or until discharge water is clear.
10. Slowly return throttle to idle speed position.
11. Stop engine.
12. Shut off water and remove flushing attachment.
13. This step is only required if the boat is to be stored in the water. After the flush procedure is completed, remove the seawater inlet hose from the thermostat housing and plug the hose to prevent water from siphoning into the boat. This prevents seawater from contaminating the engine flush.
14. Tag the ignition switch with an appropriate tag requiring the seawater inlet hose to be reconnected prior to operating engine.

## Battery

Refer to specific instructions and warnings accompanying your battery. If this information is not available, observe the following precautions when handling a battery.

**⚠ WARNING**

**Avoid serious injury from fire or explosion. Do not use jumper cables and a booster battery to start engine. Do not recharge a weak battery in the boat. Remove battery and recharge in a ventilated area away from fuel vapors, sparks or flames.**

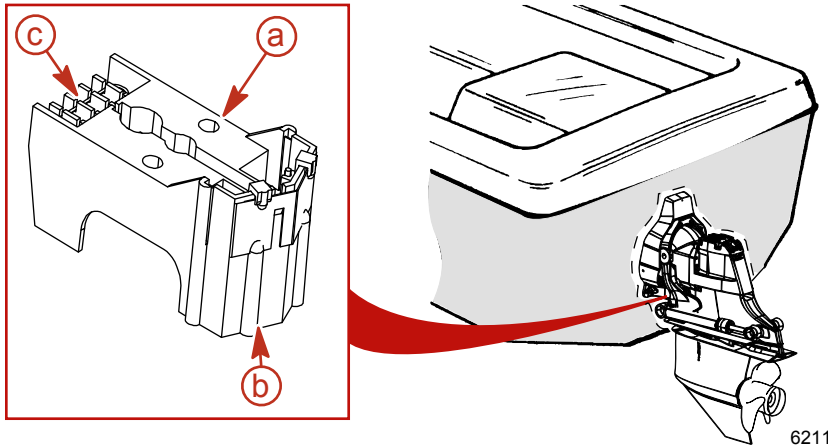
**⚠ WARNING**

**Batteries contain acid which can cause severe burns. Avoid contact with skin, eyes and clothing. If electrolyte is spilled or splashed on any part of the body, immediately flush the exposed area with liberal amounts of water and obtain medical aid as soon as possible. Safety glasses and rubber gloves are recommended when handling batteries or filling with electrolyte.**

## Corrosion Protection

### ⚠ CAUTION

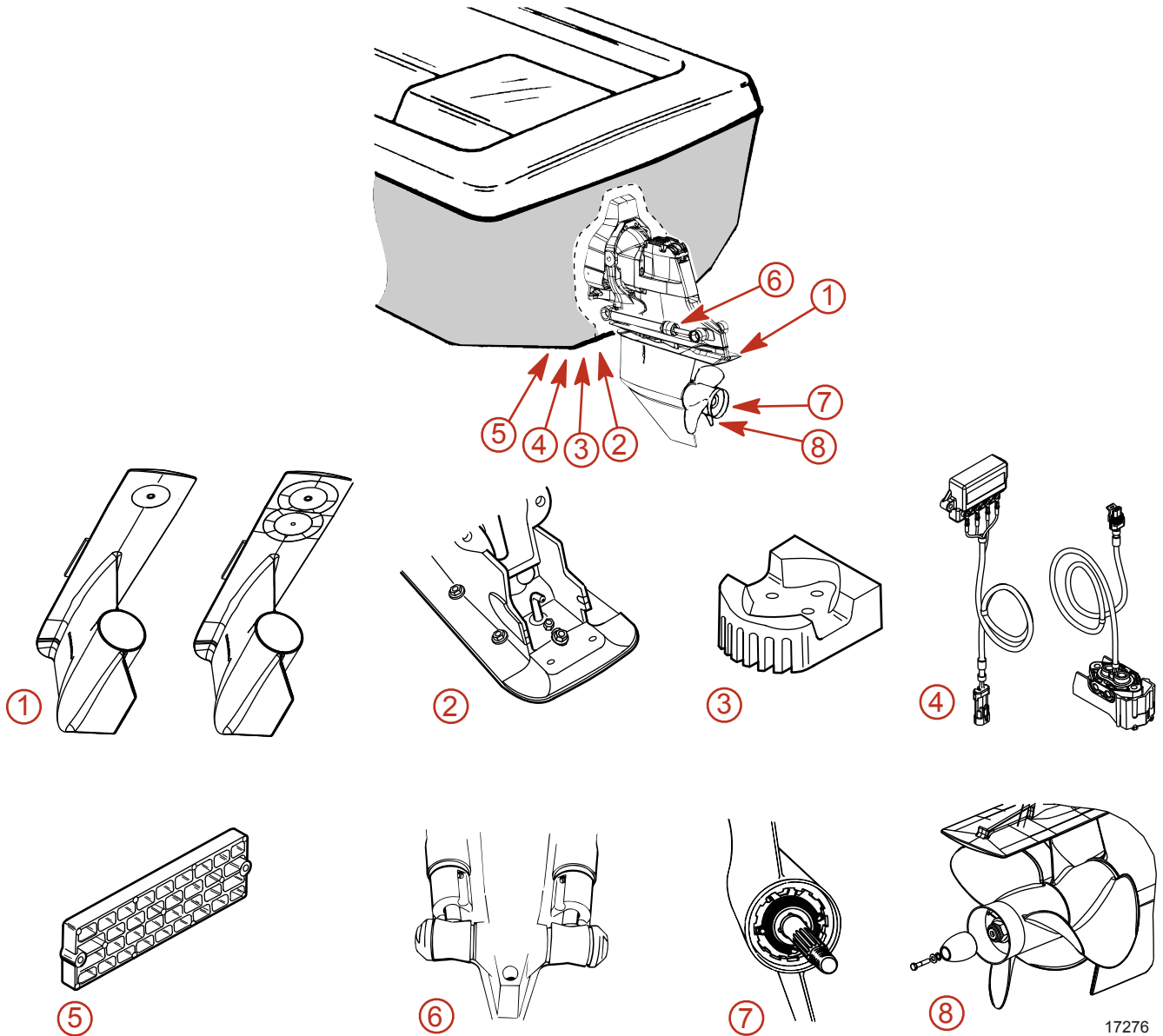
Improper boat-cleaning procedures can cause product damage. Washing the MerCathode assembly, especially with a brush or high-pressure washer, will damage the MerCathode assembly making it unable to inhibit galvanic corrosion. When cleaning the boat, do not use a brush or a high-pressure washer to wash the MerCathode assembly found on the bottom of the transom assembly.



- a** - MerCathode reference electrode      **c** - Do not pressure wash  
**b** - Do not paint

Whenever two or more dissimilar metals (like those found on the sterndrive) are submerged in a conductive solution, such as saltwater, polluted water or water with a high mineral content, a chemical reaction takes place causing electrical current to flow between metals. The electrical current flow causes the metal that is most chemically active, or anodic, to erode. This is known as galvanic corrosion and, if not controlled, it will in time cause the need for replacement of power package components exposed to water. Refer to the **Marine Corrosion Protection Guide** (90-88181301).

Mercury MerCruiser power packages are equipped with anodes to help protect them from galvanic corrosion under moderate conditions. However, for severe conditions (i.e. when using a stainless steel propeller, docking/mooring in areas with rapid water flow, etc.), it is recommended that a Quicksilver Anti-Corrosion Anode Kit and/or a MerCathode System be installed (some models have a MerCathode System as standard equipment).

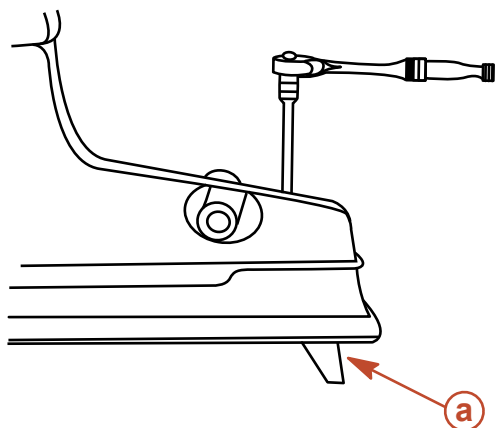


- |  |  |
|--|--|
| <ul style="list-style-type: none"> <li>1 - Gearcase anodic plate</li> <li>2 - Ventilation plate anode</li> <li>3 - Gimbal mounted anodic block</li> <li>4 - MerCathode System</li> </ul> | <ul style="list-style-type: none"> <li>5 - Anode kit</li> <li>6 - Trim cylinder anodes</li> <li>7 - Bearing carrier anodes (Alpha only)</li> <li>8 - Propshaft Anode (Bravo III standard)</li> </ul> |
|--|--|

**IMPORTANT: Replace sacrificial anodes if eroded 50 percent or more.**

The following sacrificial anodes are installed at different locations on your power package. These anodes help protect against galvanic corrosion by sacrificing its metal to be slowly eroded instead of the metal components on the power package.

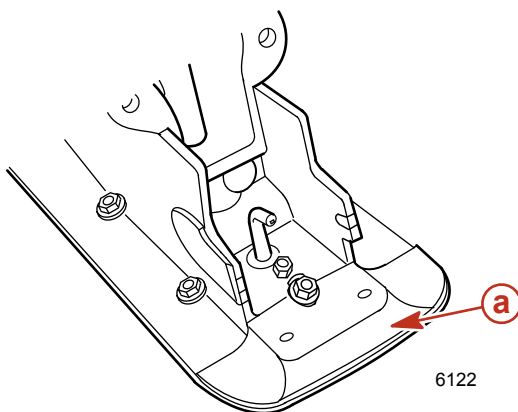
**Gearcase Anodic Plate** - Mounted on the underside of the lower gearcase.



10952

**a** - Anode

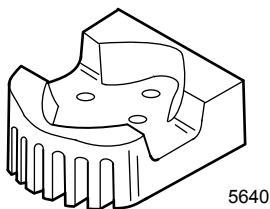
**Ventilation Plate Anode** - Mounted on the front of the gearcase.



6122

**a** - Anode

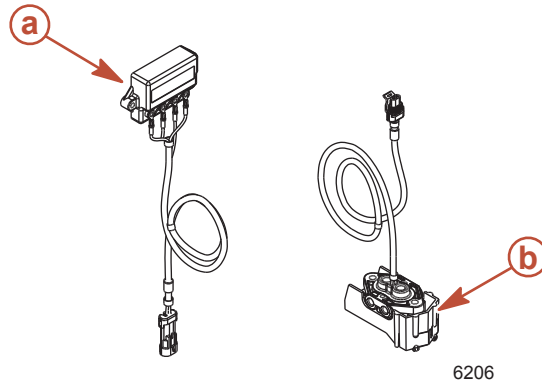
**Drive Mounted Anodic Block (if equipped)** - Mounted to underside of gimbal housing.



5640

**MerCathode System** - Electrode assembly replaces Anodic block. System should be tested to ensure adequate output. The test should be performed where boat is moored, using Quicksilver Reference Electrode and Test Meter. Contact your authorized Mercury MerCruiser dealer.

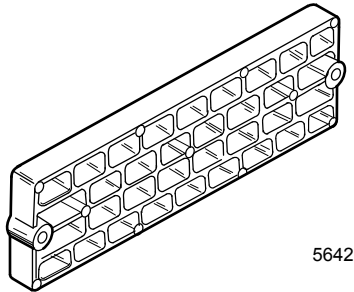
**IMPORTANT:** To ensure that the MerCathode reference electrode is not damaged, do not paint or pressure wash.



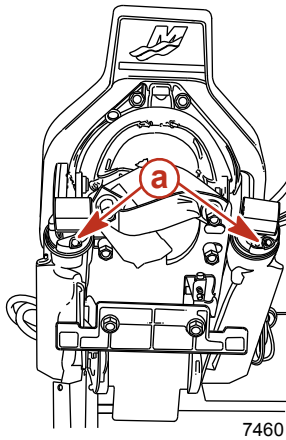
**a** - MerCathode controller

**b** - MerCathode assembly

**Anode Kit (if equipped)** - Mounted to the boat transom.

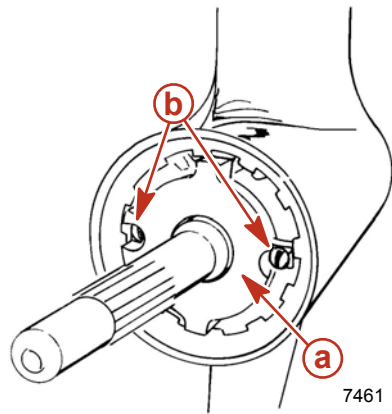


**Trim Cylinder Anodes** - Mounted on each trim cylinder.



**a** - Trim cylinder anodes

**Bearing Carrier Anode (Alpha)** - Located in front of the propeller, between the front side of the propeller and the gear housing.



**a** - Bearing carrier anode

**b** - Screws

In addition to the corrosion protection devices, the following steps should be taken to inhibit corrosion:

1. Paint your power package, refer to **Painting Your Power Package**.
2. Spray power package components on inside of boat annually with Corrosion Guard to protect finish from dulling and corrosion. External power package components may also be sprayed.
3. All lubrication points, especially steering system, shift and throttle linkages, should be kept well lubricated.
4. Flush cooling system periodically, preferably after each use.

## Painting Your Power Package

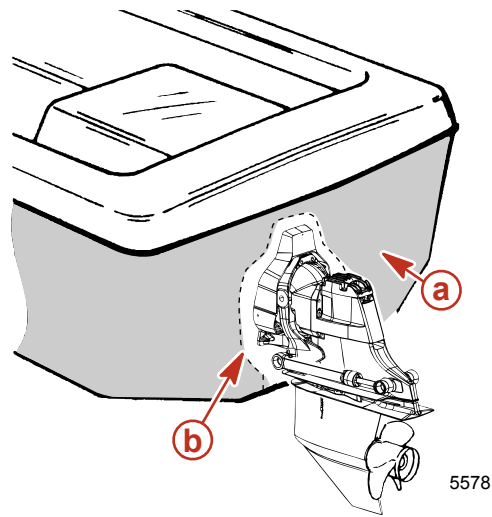
**IMPORTANT:** Corrosion damage that results from the improper application of anti-fouling paint will not be covered by the limited warranty.

1. **Painting Boat Hull or Boat Transom:** Anti-fouling paint may be applied to boat hull and boat transom but you must observe the following:

**IMPORTANT:** Do NOT paint anodes or MerCathode System reference electrode and anode, as this will render them ineffective as galvanic corrosion inhibitors.

**IMPORTANT:** If anti-fouling protection is required for boat hull or boat transom, copper or tin base paints, if not prohibited by law, can be used. If using copper or tin based anti-fouling paints, observe the following:

- Avoid any electrical interconnection between the Mercury MerCruiser Product, Anodic Blocks, or MerCathode System and the paint by allowing a minimum of 40 mm (1-1/2 in.) unpainted area on transom of the boat around these items.



**a** - Painted boat transom

**b** - Unpainted Area on Transom

2. **Painting Sterndrive Unit or Transom Assembly:** Sterndrive unit and transom assembly should be painted with a good quality marine paint or an anti-fouling paint that does not contain copper, tin, or any other material that could conduct electrical current. Do not paint drain holes, anodes, MerCathode system, and items specified by boat manufacturer.

# Section 6 - Storage

## Table of Contents

---

Cold Weather or Extended Storage.....	78	Clearing Clogged Blue Drain Hoses.....	84
Preparing Power Package for Storage.....	78	Draining the Sterndrive.....	86
Engine and Fuel System Preparation ....	79	Battery Storage.....	87
Draining the Seawater System.....	80	Power Package Recommissioning.....	87
Single Point Drain System.....	80		
Draining the Seawater Section of Closed Cooled Models.....	82		

---

## Cold Weather or Extended Storage

**IMPORTANT:** Mercury MerCruiser strongly recommends that this service should be performed by an authorized Mercury MerCruiser dealer. Damage caused by freezing temperatures IS NOT covered by the Mercury MerCruiser Limited Warranty.

### ⚠ CAUTION

Seawater that is trapped in or remains in the cooling system seawater section during cold weather or winter storage can freeze resulting in cooling system or engine damage. Completely drain the seawater from the cooling system seawater section for winter storage or immediately after cold weather operation when the possibility of freezing temperatures exist.

**IMPORTANT:** Mercury MerCruiser requires that propylene glycol antifreeze, mixed to the manufacturers instructions, be used in the seawater section of the cooling system for freezing temperatures or extended storage. Make sure that the propylene glycol antifreeze contains a rust inhibitor and is recommended for use in marine engines. Be certain to follow the propylene glycol manufacturer's recommendations.

### Preparing Power Package for Storage

1. Fill the fuel tanks with fresh gasoline (that does not contain alcohol) and a sufficient amount of Quicksilver Gasoline Stabilizer for Marine Engines to treat the gasoline. Follow instructions on the container.
2. If the boat is to be placed in storage with fuel containing alcohol in fuel tanks (if fuel without alcohol is not available): Fuel tanks should be drained as low as possible and Mercury/Quicksilver Gasoline Stabilizer for Marine Engines added to any fuel remaining in the tank. Refer to **Fuel Requirements** for additional information.
3. Flush the cooling system. Refer to the **Maintenance** section.

**IMPORTANT:** In order to run the engine as required in the remainder of the storage preparation procedure, water must be supplied to the engine as described in the flushing procedure.

4. Provide cooling water to the engine as done in the previous step.
5. Operate the engine sufficiently to bring it up to normal operating temperature and allow fuel with Mercury/Quicksilver Gasoline Stabilizer to circulate through the fuel system. Shut off the engine.
6. Change the oil and oil filter.
7. Prepare the engine and fuel system for storage. Refer to **Engine and Fuel System Preparation**.
8. Drain the engine seawater cooling system. Refer to **Draining the Seawater System**.

### ⚠ CAUTION

If the boat is in the water, the seacock must remain closed until the engine is to be restarted to prevent water from flowing back into the cooling system or the boat. If the boat is not fitted with a seacock, leave the water inlet hose disconnected and plugged to prevent water from flowing back into the cooling system or the boat. As a precautionary measure, attach a tag to the ignition switch or steering wheel of the boat with the warning: **Open the seacock or reconnect the water inlet hose before starting the engine.**

9. Ensure that the sterndrive vent holes and water drain holes and passages are unobstructed and open (refer to **Draining Instructions**).

10. For additional assurance against freezing and rust, after draining, fill the cooling system with propylene glycol mixed to the manufacturer's recommendation to protect engine to the lowest temperature to which it will be exposed during freezing temperatures or extended storage.

**⚠ CAUTION**

**Sterndrive unit should be stored in full down position. Universal Joint bellows may develop a set if unit is stored in raised position and may fail when unit is returned to service.**

11. Store boat with drive unit in full down/in position.  
12. Store the battery according to the manufacturer's instructions.

## ENGINE AND FUEL SYSTEM PREPARATION

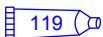
**⚠ WARNING**

**Avoid serious injury or death from a gasoline fire or explosion; gasoline is extremely flammable and highly explosive under certain conditions. When servicing the fuel system components ensure that the engine is cool, the ignition switch is in the off position, and that the lanyard stop switch, if equipped, is in the off position. Do not smoke or allow spark or open flame in the area. Wipe up any spilled fuel immediately. Ensure that no fuel leaks exist before closing the engine hatch.**

**⚠ WARNING**

**Fuel vapors can be present in the engine compartment. Avoid injury or power package damage caused by fuel vapors or explosion. Always ventilate the engine compartment prior to servicing the power package.**

1. Prepare carbureted fuel system for extended storage as follows:
  - a. Start engine.
  - b. Provide cooling water to the engine as done in the previous step.
  - c. Remove flame arrestor assembly.
  - d. Close the fuel shut off valve, if equipped. Disconnect and plug the fuel inlet fitting if not equipped with a fuel shut off valve.
  - e. While operating engine at fast idle (1300 RPM), fog internal surfaces of induction system and combustion chambers by spraying approximately 227 g (8 oz.) of Mercury/Quicksilver Storage Seal or SAE 20W engine oil into carburetor bores.
  - f. Spray the remaining 57 g (2 oz.) of Storage Seal (or oil) rapidly into carburetor, just as the engine begins to stall, due to lack of fuel. Allow engine to stop.

Tube Ref No.	Description	Where Used	Part No.
 119	Storage Seal Rust Inhibitor	Carburetor	92-802878-56

- g. Turn ignition key to "OFF" position.
2. Refer to **Flushing the Power Package** and appropriately remove the water supply the the seawater pickup pump.
3. Clean the flame arrestor and crankcase ventilation hoses and reinstall.
4. Lubricate all items listed in the **Lubrication** section.
5. On models with closed cooling systems: Test coolant to ensure that it will withstand the lowest temperature expected during storage.

6. Service batteries according to the manufacturer's instructions.
7. Clean the outside of the engine and repaint any areas required with Mercury/Quicksilver Light Gray Primer and Phantom Black Paint. After paint has dried, wipe down the outside of the engine with Corrosion Guard.

Tube Ref No.	Description	Where Used	Part No.
 120	Corrosion Guard	Outside of engine	92-802878-55

8. For sterndrive unit lay-up, refer to appropriate Mercury MerCruiser sterndrive service manual.
9. Replace the fuel filter. Refer to the **Maintenance** section for proper procedure.
10. Change the oil and oil filter.

## Draining the Seawater System

### ⚠ CAUTION

Excess water in the bilge can damage the engine or cause the boat to sink. Ensure that the boat is out of the water, the seacock is closed (if equipped) or the seawater inlet hose is disconnected and plugged on both ends, and the bilge pump is operating before beginning the draining procedure.

### ⚠ CAUTION

Excess water in the bilge can damage the engine or cause the boat to sink. When the drain system is open excess water can enter the bilge. Do not operate the engine with the drain system open.

**IMPORTANT:** Only drain the seawater section of the closed cooling system.

**IMPORTANT:** The boat must be as level as possible to ensure complete draining of the cooling system.

**IMPORTANT:** The engine must not be operating at any point during the draining procedure.

## Single Point Drain System

### ⚠ WARNING

**Burn Hazard.** Pressurized hot water may be present in the blue drain hoses. Stop the engine and allow the engine to cool before disconnecting the blue drain hoses.

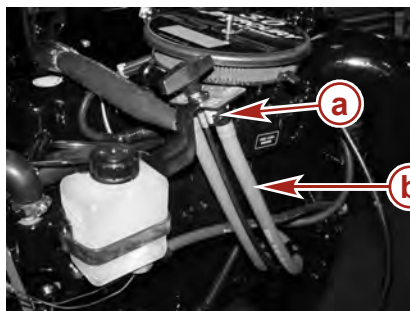
### ⚠ CAUTION

If the boat is in the water, the seacock must remain closed until the engine is to be restarted to prevent water from flowing back into the cooling system or the boat. If the boat is not fitted with a seacock, leave the water inlet hose disconnected and plugged to prevent water from flowing back into the cooling system or the boat. As a precautionary measure, attach a tag to the ignition switch or steering wheel of the boat with the warning: **Open the seacock or reconnect the water inlet hose before starting the engine.**

**IMPORTANT:** Do not start or operate engine at any point in this procedure.

1. If draining with the boat in the water, close the seacock (if equipped) or remove and plug the water inlet hose. If draining with the boat out of the water, place the boat on a level surface to ensure complete draining of the system.
2. Turn on the bilge pump.

3. Push the quick connect fitting release buttons and remove the blue drain hoses from the bracket.

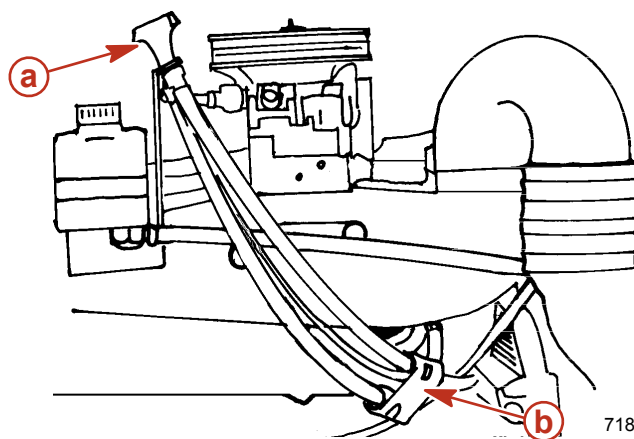


17217

**a** - Release button

**b** - Blue drain hoses

4. Pull the T-handle until the hose guide is in contact with the quick connect fittings.



7183

**a** - T-handle

**b** - Hose guide

5. Push down on the T-handle to force the blue drain hoses below their connection points on the block.
6. Ensure water is draining from blue drain hoses. If water is not draining from all blue drain hoses, refer to **Clearing Clogged Drain Hoses**.
7. Leave the blue drain hoses disconnected until all water has drained from the engine.
8. Pull the T-handle until the quick connect fittings on the blue drain hoses are within reach.
9. Install the quick connect fittings on the bracket. Pull on the blue drain hoses to ensure they are firmly connected.
10. Push down on the T-handle until seated.
11. Turn off the bilge pump.
12. If the boat was drained in the water, prior to operating the engine open the seacock (if equipped) or unplug and reconnect the water inlet hose.

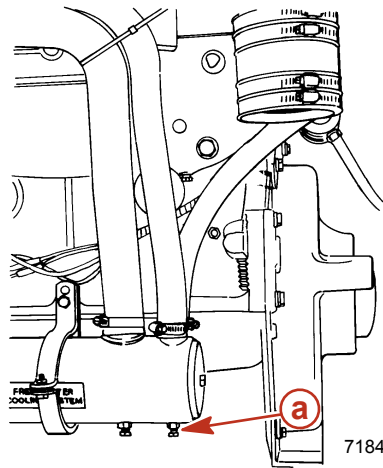
**IMPORTANT: The next time the engine is started, visually inspect that the blue drain hoses are connected and not leaking.**

## Draining the Seawater Section of Closed Cooled Models

### ⚠ CAUTION

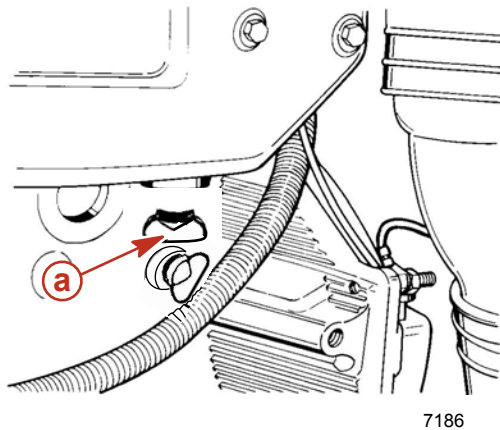
If the boat is in the water, the seacock must remain closed until the engine is to be restarted to prevent water from flowing back into the cooling system or the boat. If the boat is not fitted with a seacock, leave the water inlet hose disconnected and plugged to prevent water from flowing back into the cooling system or the boat. As a precautionary measure, attach a tag to the ignition switch or steering wheel of the boat with the warning: **Open the seacock or reconnect the water inlet hose before starting the engine.**

1. If draining with the boat in the water, close the seacock (if equipped) or remove and plug the water inlet hose. If draining with the boat out of the water, place the boat on a level surface to ensure complete draining of the system.
2. Remove the drain plug from the following locations:
  - a. Aft (rear) drain plug from the heat exchanger.



**a** - Heat exchanger drain plug

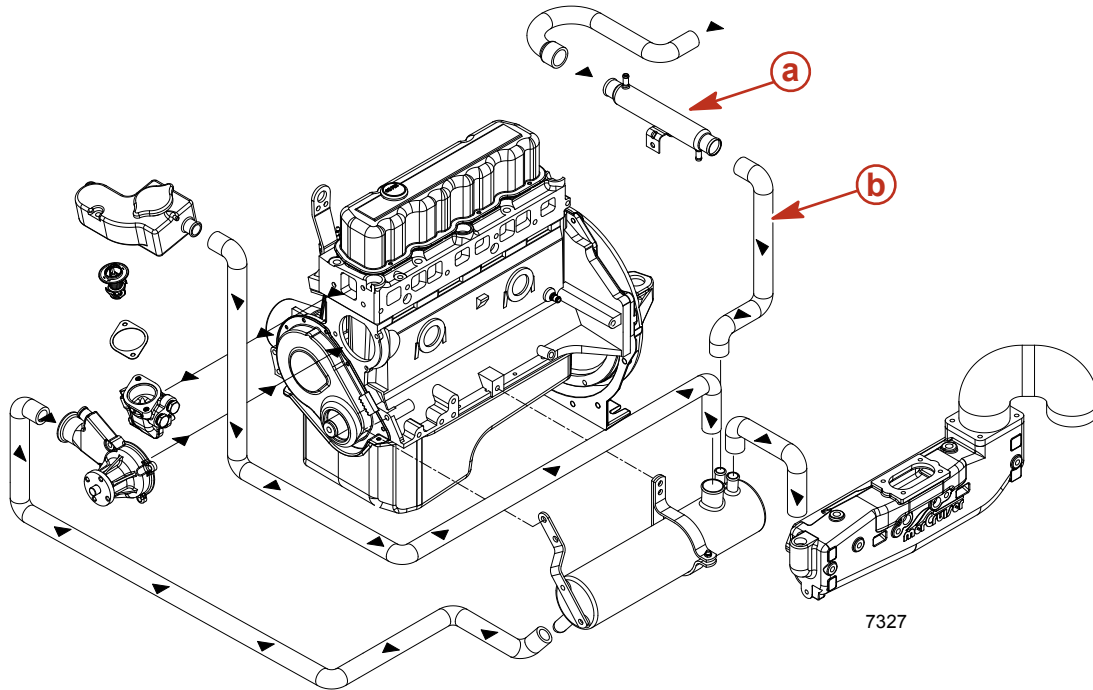
- b. Bottom of exhaust manifold.



**a** - Exhaust manifold drain plug

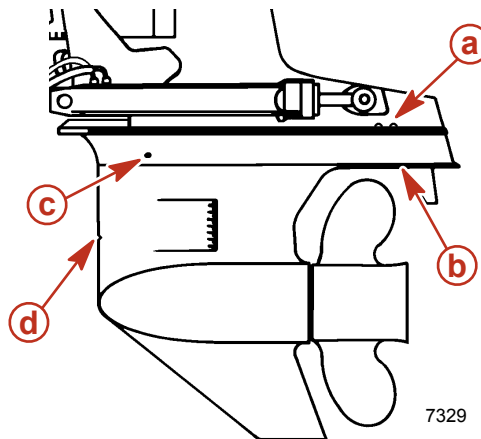
3. Clean out the drain holes with a stiff piece of wire until the entire system is drained.  
**NOTE:** It may be necessary to lift or bend hoses to allow water to drain completely.

- Remove and lower the hose from the water inlet to the power steering cooler (if equipped), or the water inlet to the heat exchanger.



**a** - Power steering cooler, if equipped    **b** - Water inlet to heat exchanger hose

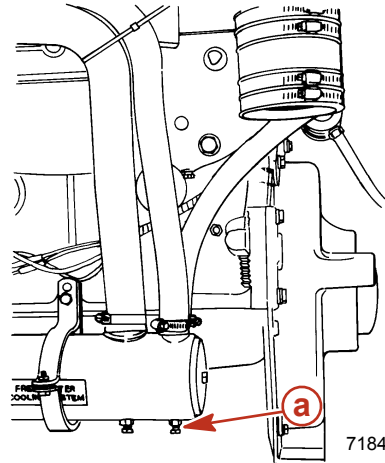
- Ensure the gear housing water vent and drain holes, speedometer pitot hole, and trim tab cavity vent and drain holes are open and unobstructed.



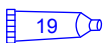
**a** - Gear housing vent holes                      **c** - Gear housing drain hole  
**b** - Trim tab cavity drain holes                **d** - Speedometer pitot hole

- Crank the engine over slightly with the starter motor to purge any water trapped in seawater pickup pump. Do not allow the engine to start.

- After the cooling system has been drained completely, apply sealant to the aft heat exchanger plug.



**a** - Heat exchanger drain plug

Tube Ref No.	Description	Where Used	Part No.
 19	Perfect Seal	Aft heat exchanger plug	92-34227-1

- Prior to launching the boat or starting the engine, install the drain plugs, reconnect the hoses, and tighten all hose clamps securely.
- If the boat was drained in the water, open the seacock (if equipped) or unplug and reconnect the water inlet hose prior to operating the engine.

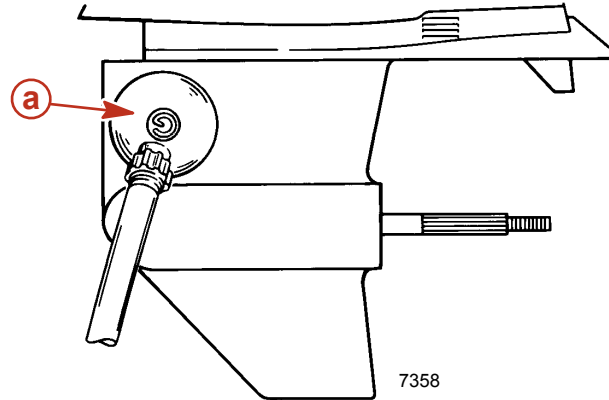
## Clearing Clogged Blue Drain Hoses

### WARNING

**Burn Hazard. Pressurized hot water may be present in the blue drain hoses. Stop the engine and allow the engine to cool before disconnecting the blue drain hoses.**

- If the engine can be started proceed to Step 2. If the engine cannot be started, proceed to Step 8.
- If one hose is flowing freely, reconnect it to the bracket.
- Ensure the clogged blue drain hose is in the correct position below its connection point on the block.

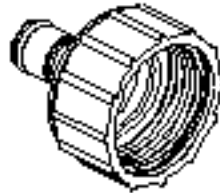
- Turn on the bilge pump and supply water to the water inlets. If the boat is out of the water, install the flushing attachment and open water source to half maximum capacity.



**a** - Flushing attachment

Flushing Device	91-44357Q 2
<p>9192</p>	Attaches to the water intakes; provides a fresh water connection when flushing the cooling system or operating the engine.

- Start the engine and allow it to operate at idle until the obstruction is cleared from the hose or for approximately 1 minute, whichever occurs first.
- Check for water draining from the blue drain hose. If after 1 minute of idling, the blue drain hose is still clogged, proceed to Step 7. If water is draining, shut off the engine and continue with Step 3 of **Single Point Drain System**.
- Shut off the engine. Disconnect the water source if connected to a flush device.
- Attach the female end of the water hose adapter fitting to a water supply.



7252

#### Hose Adapter Fitting (22-863840)

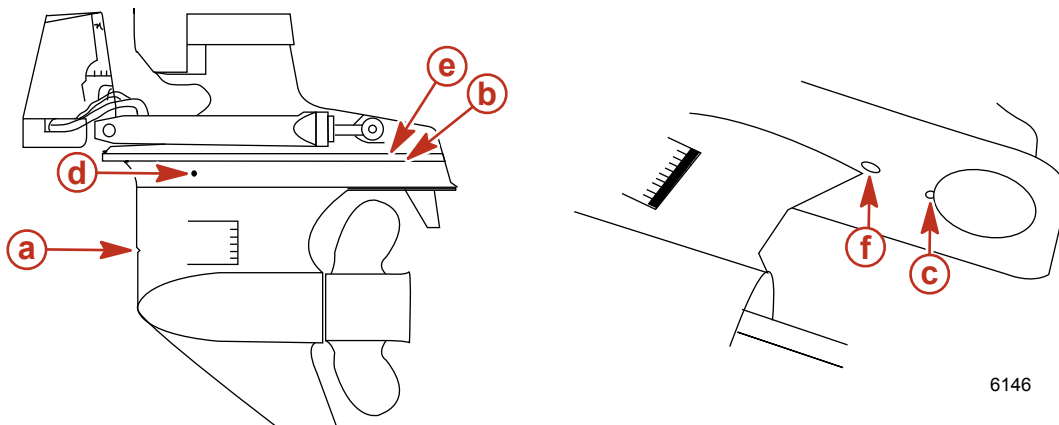
- Attach the clogged blue drain hose to the male end of the water hose adapter fitting.
- Fully open the water supply and allow it to run for 1 minute.
- Turn off the water supply. Disconnect the water hose adapter from the blue drain hose and the water hose.

12. Push down on the T-handle to force the blue drain hoses down below their connection points on the block.
13. Check for water draining from the blue drain hose. If the blue drain hose is still clogged, shut off the bilge pump and reattach the blue drain hoses following the steps below. The unit will need to be serviced by an authorized Mercury MerCruiser dealer.
  - a. Pull the T-handle until the quick connect fittings on the blue drain hoses are within reach.
  - b. Install the quick connect fittings on the bracket. Pull on the blue drain hoses to ensure they are firmly connected.
  - c. Push down on the T-handle until seated.
14. If water is draining from the blue drain hose, continue with Step 4 of **Single Point Drain System**.

## Draining the Sterndrive

**NOTE:** This procedure is needed only for salty, brackish, mineral laden, or polluted water applications; and for freezing temperatures or extended storage.

1. Insert a small wire repeatedly to make sure that vent holes, water drain holes, and passages are unobstructed and open.



### Sterndrive Water Drain Holes

- |  |  |
|--|--|
| <b>a</b> - Speedometer pitot tube        | <b>d</b> - Gear housing water drain hole (1 each - port and starboard) |
| <b>b</b> - Trim tab cavity vent hole     | <b>e</b> - Gear housing cavity vent hole                               |
| <b>c</b> - Trim tab cavity drain passage | <b>f</b> - Gear housing cavity drain hole                              |

### ⚠ CAUTION

**Avoid damage to the sterndrive unit. Always store the sterndrive unit in the full down position. The universal joint bellows may develop a set if unit is stored in raised position and may fail when unit is returned to service.**

2. Lower the sterndrive unit to the full down/in position.
3. For additional assurance against freezing and rust, after draining, fill the cooling system with propylene glycol mixed to the manufacturer's recommendation to protect engine to the lowest temperature to which it will be exposed during freezing temperatures or extended storage

**IMPORTANT:** Mercury MerCruiser requires that propylene glycol antifreeze, mixed to the manufacturers instructions, be used in the seawater section of the cooling system for freezing temperatures or extended storage. Make sure that the propylene glycol antifreeze contains a rust inhibitor and is recommended for use in marine engines. Be certain to follow the propylene glycol manufacturer's recommendations.

## Battery Storage

Whenever the battery will be stored for an extended period of time, be sure the cells are full of water and the battery is fully charged and in good operating condition. It should be clean and free of leaks. Follow the battery manufacturer's instructions for storage.

## Power Package Recommissioning

1. Ensure that all cooling system hoses are connected properly and hose clamps are tight.

### CAUTION

**Avoid electrical system damage. When installing the battery, be sure to connect the negative (-) battery cable to the negative (-) battery terminal and the positive (+) battery cable to the positive (+) battery terminal.**

2. Install a fully charged battery. Clean the battery cable clamps and terminals and reconnect cables. Tighten each cable clamp securely when connecting.
3. Coat the terminal connections with a battery terminal anti-corrosion agent.
4. Perform all the checks in the before starting column of the **Operation Chart**.

### CAUTION

**Overheating from insufficient cooling water will cause engine and drive system damage. Ensure that there is sufficient water always available at water inlet holes during operation.**

5. Start the engine and closely observe instrumentation to ensure that all systems are functioning correctly.
6. Carefully inspect the engine for fuel, oil, fluid, water and exhaust leaks.
7. Inspect the steering system, shift and throttle control for proper operation.

**Notes:**

# Section 7 - Troubleshooting

## Table of Contents

---

Starter Motor Will Not Crank Engine, Or Cranks Slow.....	90	Battery Will Not Come Up On Charge.....	91
Engine Will Not Start Or Is Hard To Start.....	90	Remote Control Operates Hard, Binds, Has Excessive Free-play Or Makes Unusual Sounds .....	92
Engine Runs Rough, Misses And/Or Backfires .....	90	Steering Wheel Turns Hard Or Jerky.....	92
Poor Performance.....	90	Power Trim Does Not Operate (Motor Does Not Operate).....	92
Excessive Engine Temperature.....	91	Power Trim Does Not Operate (Motor Operates But Sterndrive Unit Does Not Move).....	92
Insufficient Engine Temperature.....	91		
Low Engine Oil Pressure.....	91		

---



## Starter Motor Will Not Crank Engine, Or Cranks Slow

Possible Cause	Remedy
Battery switch turned off.	Turn the switch on.
Remote control not in neutral position.	Position the control lever in neutral.
Open circuit breaker or blown fuse.	Check and reset the circuit breaker or replace fuse.
Loose or dirty electrical connections or damaged wiring.	Check all electrical connections and wires (especially battery cables). Clean and tighten all faulty connections.
Bad battery or low battery voltage.	Test the battery and charge if necessary; replace if bad.
Lanyard stop switch activated.	Check the lanyard stop switch.

## Engine Will Not Start Or Is Hard To Start

Possible Cause	Remedy
Lanyard stop switch activated.	Check the lanyard stop switch.
Improper starting procedure.	Read the starting procedure.
Insufficient fuel supply.	Fill fuel tank or open valve.
Engine flooded.	Turn the key switch off and wait 5 minutes. Push the throttle only button, push the remote control handle/throttle lever to the 1/4 throttle position, and attempt to restart.
Faulty ignition system component.	Service the ignition system.
Clogged fuel filter.	Replace fuel filter.
Stale or contaminated fuel.	Drain fuel tank. Fill with fresh fuel.
Fuel line or tank vent line kinked or clogged.	Replace kinked lines or blow out lines with compressed air to remove obstruction.
Faulty wire connections.	Check wire connections.
TKS fuse blown.	Check TKS fuse. Replace the fuse if blown.

## Engine Runs Rough, Misses And/Or Backfires

Possible Cause	Remedy
Clogged fuel filter.	Replace filter.
Stale or contaminated fuel.	If contaminated, drain tank. Fill with fresh fuel.
Kinked or clogged fuel line or fuel tank vent line.	Replace kinked lines or blow out lines with compressed air to remove obstruction.
Flame Arrestor dirty.	Clean Flame Arrestor.
Faulty ignition system component.	Service ignition system.

## Poor Performance

Possible Cause	Remedy
Throttle not fully open.	Inspect the throttle cable and linkages for proper operation.
Damaged or improper propeller.	Replace the propeller.
Excessive bilge water.	Drain and check for cause of entry.
Boat overloaded or load improperly distributed.	Reduce load or redistribute load more evenly.
Flame arrestor dirty.	Clean the flame arrestor.

Possible Cause	Remedy
Boat bottom fouled or damaged.	Clean or repair as necessary.
Ignition problem.	See <b>Engine Runs Rough, Misses or Backfires</b> .
Engine overheating.	See <b>Excessive Engine Temperature</b> .
Running rich.	Have authorized Mercury MerCruiser dealer check and repair.

## Excessive Engine Temperature

Possible Cause	Remedy
Water inlet or seacock closed.	Open.
Drive belt loose or in poor condition.	Replace or adjust belt.
Seawater pickups or sea strainer obstructed.	Remove obstruction.
Faulty thermostat.	Replace.
Coolant level (if equipped) low in closed cooling section.	Check for cause of low coolant level and repair. Fill system with proper coolant solution.
Heat Exchanger or Fluid Cooler plugged with foreign material	Clean Heat Exchanger, Engine Oil Cooler, and Transmission Oil Cooler (if equipped).
Loss of pressure in closed cooling section.	Check for leaks. Clean, inspect and test pressure cap.
Faulty seawater pickup pump.	Repair.
Seawater discharge restricted or plugged.	Clean exhaust elbows.

## Insufficient Engine Temperature

Possible Cause	Remedy
Faulty thermostat.	Replace.

## Low Engine Oil Pressure

Possible Cause	Remedy
Insufficient oil in crankcase.	Check and add oil.
Excessive oil in crankcase (causing it to become aerated).	Check and remove required amount of oil. Check for cause of excessive oil (improper filling).
Diluted or improper viscosity oil.	Change oil and oil filter, using correct grade and viscosity oil. Determine cause for dilution (excessive idling).

## Battery Will Not Come Up On Charge

Possible Cause	Remedy
Excessive current draw from battery.	Turn off non-essential accessories.
Alternator drive belt loose or in poor condition.	Replace and/or adjust.
Unacceptable battery condition.	Test battery, replace if necessary.
Loose or dirty electrical connections or damaged wiring.	Check all associated electrical connections and wires (especially battery cables). Clean and tighten faulty connections. Repair or replace damaged wiring.
Faulty alternator	Test alternator output, replace if necessary.

## Remote Control Operates Hard, Binds, Has Excessive Free-play Or Makes Unusual Sounds

Possible Cause	Remedy
Insufficient lubrication on shift and throttle linkage fasteners.	Lubricate.
Obstruction in shift or throttle linkages.	Remove obstruction.
Loose or missing shift and throttle linkages.	Check all throttle linkages. If any are loose or missing, see authorized Mercury MerCruiser dealer immediately.
Shift or throttle cable kinked.	Straighten cable or have authorized Mercury MerCruiser dealer replace cable if damaged beyond repair.

## Steering Wheel Turns Hard Or Jerky

Possible Cause	Remedy
Low power steering pump fluid level.	Check for leak. Refill system with fluid.
Drive belt loose or in poor condition.	Replace and/or adjust.
Insufficient lubrication on steering components.	Lubricate.
Loose or missing steering fasteners or parts.	Check all parts and fasteners if any are loose or missing, see authorized Mercury MerCruiser dealer immediately.
Contaminated power steering fluid.	See authorized Mercury MerCruiser dealer.

## Power Trim Does Not Operate (Motor Does Not Operate)

Possible Cause	Remedy
Blown fuse.	Replace fuse. Fuses may be located near the dash trim switch, at the trim pump, in the positive (red) power trim battery lead near the battery switch, or a combination of these.
Loose or dirty electrical connections or damaged wiring.	Check all associated electrical connections and wires (especially battery cables). Clean and tighten faulty connection. Repair or replace wiring.

## Power Trim Does Not Operate (Motor Operates But Sterndrive Unit Does Not Move)

Possible Cause	Remedy
Trim pump oil level low.	Fill pump with oil.
Drive unit binding in gimbal ring.	Check for obstruction.

## Section 8 - Customer Assistance Information

### Table of Contents

---

Owner Service Assistance.....	94	Parts And Accessories Inquiries .....	95
Local Repair Service .....	94	Resolving A Problem .....	95
Service Away From Home .....	94	Mercury Marine Service Offices .....	95
Stolen Power Package .....	94	Ordering Literature.....	96
Attention Required After Submersion .....	94	United States and Canada .....	96
Replacement Service Parts .....	94	Outside The United States and Canada .....	96

---

## Owner Service Assistance

### Local Repair Service

Always return your Mercury MerCruiser powered boat to your authorized dealer should the need for service arise. Only he has the factory trained mechanics, knowledge, special tools and equipment and the genuine Quicksilver parts and accessories<sup>1</sup> to properly service your engine should the need occur. He knows your engine best.

### Service Away From Home

If you are away from your local dealer and the need arises for service, contact the nearest authorized dealer. Refer to the Yellow Pages of the telephone directory. If, for any reason, you cannot obtain service, contact the nearest Regional Service Center. Outside the United States and Canada, contact the nearest Marine Power International Service Center.

### Stolen Power Package

If your power package is stolen, immediately advise the local authorities and Mercury Marine of the model and serial numbers and to whom the recovery is to be reported. This information is maintained in a database at Mercury Marine to aid authorities and dealers in recovery of stolen power packages.

### Attention Required After Submersion

1. Before recovery, contact an authorized Mercury MerCruiser dealer.
2. After recovery, immediate service by an authorized Mercury MerCruiser dealer is required to reduce the possibility of serious engine damage.

### Replacement Service Parts

#### WARNING

**Serious injury or death may occur to the boating public if boat systems are incorrectly designed, manufactured, or installed. To minimize risks of fire or explosion, electrical, ignition and fuel system components on Mercury Marine power products are designed and manufactured to comply with numerous international directives, federal regulations, voluntary standards, and product installation instructions.**

**Use or installation of replacement electrical, ignition or fuel system components, which do not comply with these directives, regulations, standards and instructions could result in a fire or explosion hazard and should be avoided.**

Marine engines are expected to operate at or near full throttle for most of their life. They are also expected to operate in both fresh and saltwater environments. These conditions require numerous special parts. Care should be exercised when replacing marine engine parts as specifications are quite different from those of the standard automotive engine.

For example, one of the most important, and probably the least suspected special replacement part, is the cylinder head gasket. Since saltwater is highly corrosive, the steel-type automotive head gasket cannot be used. A marine engine head gasket uses special materials to resist corrosive action.

Since marine engines must be capable of running at or near maximum RPM much of the time, special valve springs, valve lifters, pistons, bearings, camshafts and other heavy duty moving parts are required for long life and peak performance.

These are but a few of the many special modifications that are required in Mercury MerCruiser marine engines to provide long life and dependable performance.

1. Quicksilver parts and accessories are engineered and built by Mercury Marine, specifically for Mercury MerCruiser sterndrives and inboards.

## PARTS AND ACCESSORIES INQUIRIES

All inquiries concerning Quicksilver replacement parts and accessories should be directed to your local authorized dealer. The dealer has the necessary information to order parts and accessories for you should he not have them in stock. Only authorized dealers can purchase genuine Quicksilver parts and accessories from the factory. Mercury Marine does not sell to unauthorized dealers or retail customers. When inquiring on parts and accessories, the dealer requires the **engine model** and **serial numbers** to order the correct parts.

## Resolving A Problem

Satisfaction with your Mercury MerCruiser product is very important to your dealer and to us. If you ever have a problem, question or concern about your power package, contact your dealer or any authorized Mercury MerCruiser dealership. If additional assistance is required, take these steps:

1. Talk with the dealership's sales manager or service manager. If this has already been done, then contact the owner of the dealership.
2. Should you have a question, concern or problem that cannot be resolved by your dealership, please contact Mercury Marine Service Office for assistance. Mercury Marine will work with you and your dealership to resolve all problems.

The following information will be needed by the service office:

- Your name and address
- Daytime telephone number
- Model and serial numbers for your power package
- The name and address of your dealership
- Nature of problem

Mercury Marine Service Offices are listed on the next page.

## Mercury Marine Service Offices

For assistance, call, fax or write. Please include your daytime telephone number with mail and fax correspondence.

Telephone	Fax	Mail
(405) 743 6566	(405) 743 6570	Mercury MerCruiser 3003 N. Perkins Rd. Stillwater, OK 74075
(905) 567 MERC (6372)	(905) 567 8515	Mercury Marine Ltd. 2395 Meadowpine Blvd. Mississauga, Ontario L5N 7W6 Canada
(61) (3) 9791 5822	(61) (3) 9793 5880	Mercury Marine Australia 132-140 Frankston Road Dandenong, Victoria 3164 Australia
(32) (87) 32 32 11	(32) (87) 31 19 65	Marine Power - Europe, Inc. Parc Industriel de Petit-Rechain B-4800 Verviers, Belgium

## Customer Assistance Information

Telephone	Fax	Mail
(954) 744 3500	(954) 744 3535	Mercury Marine - Latin America & Caribbean 11650 Interchange Circle North, Miramar, FL 33025 U.S.A.
(81) 53 423 2500	(81) 53 423 2510	Mercury Marine - Japan 283-1 Anshin-cho Hamamatsu, Shizuoka 435-0005 Japan
(65) 6546 6160	(65) 6546 7789	Mercury Marine Singapore 72 Loyang Way , 508762 Singapore

## Ordering Literature

Before ordering literature, please have the following information about your power package available:

- Model
- Serial Number
- Horsepower
- Year built

## United States and Canada

For information on additional literature that is available for your particular Mercury MerCruiser power package and how to order that literature contact your nearest dealer or contact

Mercury Marine Publications  
P.O. Box 1939  
Fond du Lac, WI 54936-1939  
(920) 929-5110  
Fax (920) 929-4894

## Outside The United States and Canada

Contact your nearest dealer or Marine Power Service Center for information on additional literature that is available for your particular Mercury MerCruiser power package and how to order that literature.

Please return with payment to:  
Mercury Marine  
Attn: Publications Department  
W6250 West Pioneer Road  
P.O. Box 1939  
Fond du Lac, WI 54936-1939

### **Ship To: (Please Print Or Type - This Is Your Shipping Label)**

Name

Address

City State ZIP